



Specialist For Air Diffuser And Air Grille

Metal Louver

- Single deflection grille (SG) -----1-4
- Double deflection grille (DG) -----4-6
- Eggcrate grille (EG) -----6-7
- Linear diffuser (LD) -----8
- Linear slot diffuser (LSD) -----8-9
- Grille for spiral duct (SGD) -----9
- Door link grille (RG-DL) -----10
- Door grille (RG-DT) -----10
- Water proof grille (RG-WP) -----11
- Round air diffuser (CD-R) -----12
- Square air diffuser (CD-SA) -----12-14
- Swirl air diffuser (CD-SW) -----15-17
- Jet nozzle (JN-A) -----18
- External vent louvers (EV-A) -----18
- Metal air valve (MV) -----19
- Floor diffuser (FD) -----19

Plastic Louver

- Plastic air grille (PG) -----20-22

Flexible Duct

- Flexible duct (FD) -----23

Plenum Box

- Plenum box (PB) -----23

Volume Control Damper

- Volume control damper (VCD) -----24-26

Fire Damper For Duct

- Fire damper for duct (FDD) -----26

Iris Damper

- Iris damper (FS-IRSD) -----26

Accessory

- Accessory (FS, SFR, RD) -----27-31

Adjustable Bracket

- Adjustable bracket (AC) -----32-34

Pressed Fitting

- Pressed fitting -----34-36

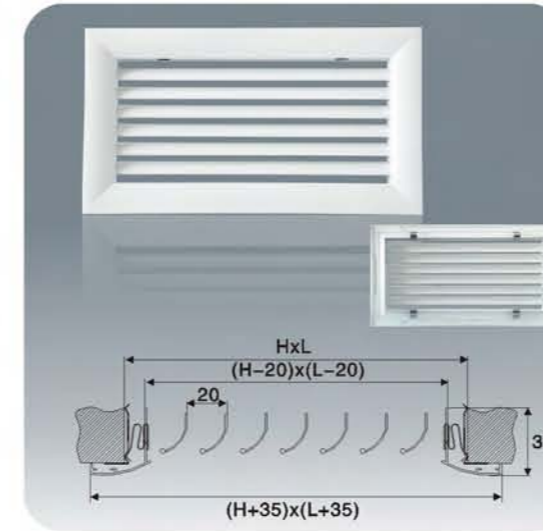
Mechanical Warm Air-condition

- Mechanical warm air-condition
(WSK, FWSK) -----37

Refrigerant

- Refrigerant -----38-39

Single deflection grille



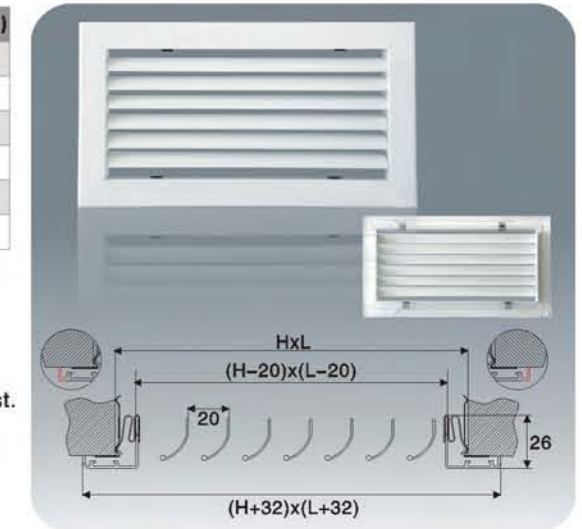
Specification(mm)	Neck size(mm)	Overall size(mm)
200x100	180x80	235x135
250x150	230x130	285x185
300x200	280x180	335x235
350x250	330x230	385x285
.....
1000x600	980x580	1035x635

- ※ **Model:** SG-ACH
- ※ **Material:** Aluminum
- ※ **Feature:**
 - ★ Frame thick:1.1mm.
 - ★ Designed for return air.
 - ★ Anodized or powder coated white, colour RAL 9010,9016, other colours on request.
 - ★ The blade is curved and fixed with frame. Modern designed curved frames blend gently with wall or ceiling surfaces.
 - ★ The other size can be request.
 - ★ Fixing with mounting frame SFR.

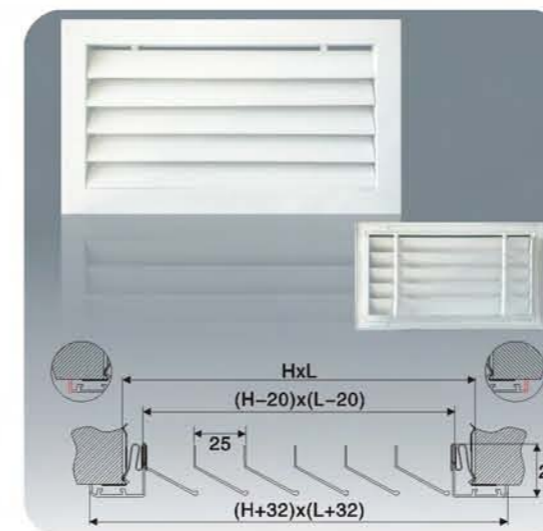
Single deflection grille

Specification(mm)	Neck size(mm)	Overall size(mm)
200x100	180x80	232x132
250x150	230x130	282x182
300x200	280x180	332x232
350x250	330x230	382x282
.....
1000x600	980x580	1032x632

- ※ **Model:** SG-AFH
- ※ **Material:** Aluminum
- ※ **Feature:**
 - ★ Frame thick:1.1mm.
 - ★ Designed for return air.
 - ★ Anodized or powder coated white, colour RAL 9010 ,9016, other colours on request.
 - ★ The blade is curved and fixed with frame. Frame is flat.
 - ★ The edge of frame could be orthogonal, the model number is SG-AFH/O.
 - ★ The other size can be request.
 - ★ Fixing with mounting frame SFR.



Single deflection grille



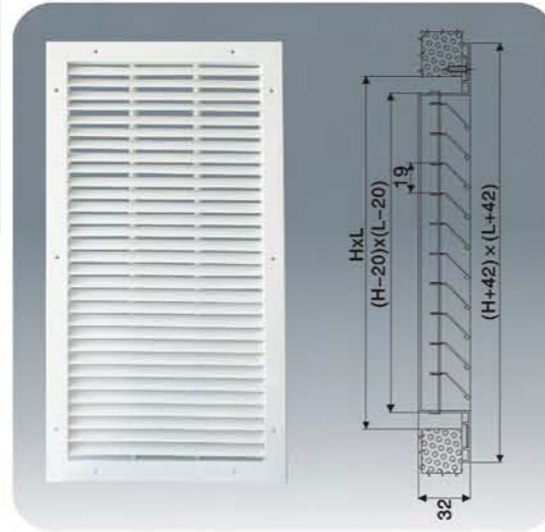
Specification(mm)	Neck size(mm)	Overall size(mm)
200x100	180x80	232x132
250x150	230x130	282x182
300x200	280x180	332x232
350x250	330x230	382x282
.....
1000x600	980x580	1032x632

- ※ **Model:** SG-A2
- ※ **Material:** Aluminum
- ※ **Feature:**
 - ★ Frame thick:1.1mm.
 - ★ Designed for return grille.
 - ★ Anodized or powder coated white , colour RAL9010, 9016,other colours on request.
 - ★ The blade is curved and fixed with frame. Frame is flat.
 - ★ The edge of frame could be orthogonal, the model number is SG-A2/O.
 - ★ The other size can be request.
 - ★ Fixing with mounting frame SFR.

Single deflection grille

Specification(mm)	Neck size(mm)	Overall size(mm)
200x100	180x80	242x142
250x150	230x130	292x192
300x200	280x180	342x242
350x250	330x230	392x292
.....
1000x600	980x580	1042x642

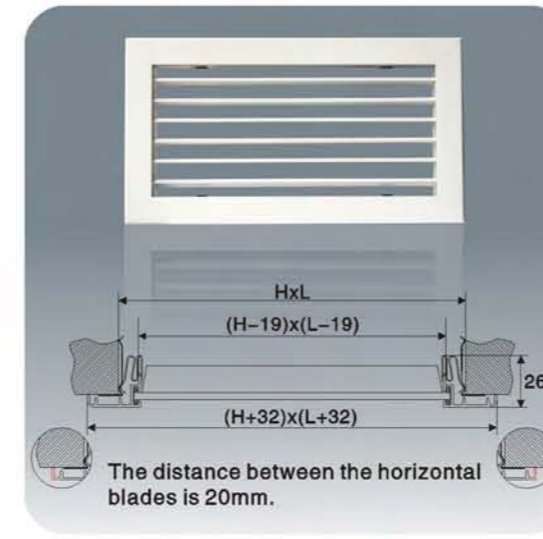
- ※ **Model:** SG-A3
- ※ **Material:** Aluminum
- ※ **Feature:**
 - ★ Frame thick:1.2mm.
 - ★ Designed for return grille.
 - ★ Anodized or powder coated white ,colour RAL 9010,9016,other colours on request.
 - ★ The blade is fixed with frame. Frame is flat.
 - ★ The blades is fixed by wire and fixed with frame.
 - ★ Fixing with mounting frame SFR.
 - ★ All sizes can be produced upon request.



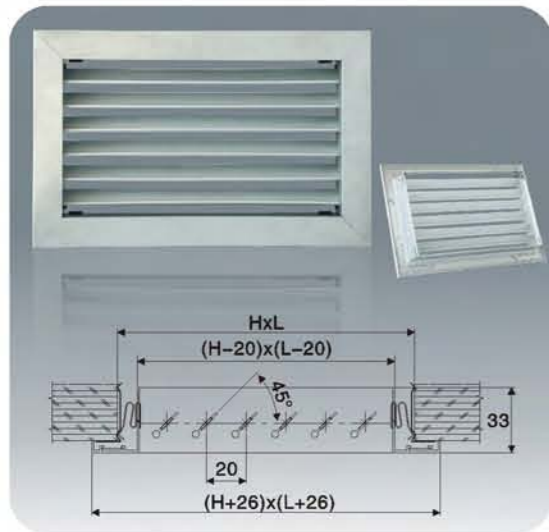
Single deflection grille

Specification(mm)	Neck size(mm)	Overall size(mm)
200x100	181x81	232x132
250x150	231x131	282x182
300x200	281x181	332x232
350x250	331x231	382x282
.....
1000x600	981x581	1032x632

- ※ **Model:** SG-C
- ※ **Material:** Aluminum
- ※ **Feature:**
 - ★ Frame thick:1.2mm.
 - ★ Anodized or powder coated white ,colour RAL 9010, 9016,other colours on request.
 - ★ Designed for return grille.
 - ★ The blades is fixed by PE ring and adjust from 0-180 degree, control the airflow direction. The edge of frame could be orthogonal, the model number is SG-C/O .
 - ★ Material painted before assemble.
 - ★ Fixing with mounting frame SFR.



Single deflection grille



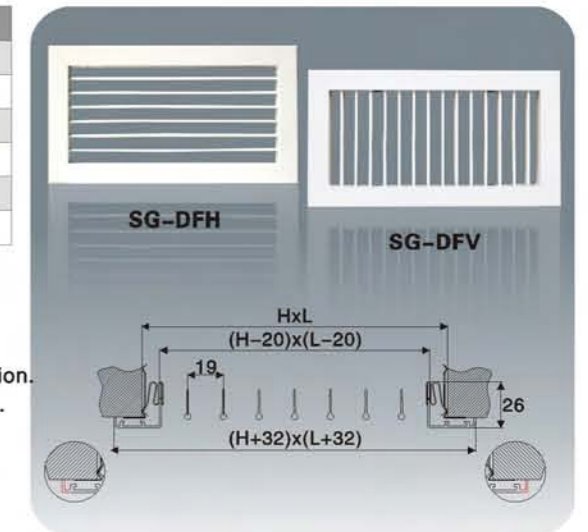
Specification(mm)	Neck size(mm)	Overall size(mm)
200x100	180x80	226x126
250x150	230x130	276x176
300x200	280x180	326x226
350x250	330x230	376x276
.....
1000x600	980x580	1026x626

- ※ **Model:** SG-A4
- ※ **Material:** Aluminum
- ※ **Feature:**
 - ★ Frame thick:1.2mm.
 - ★ Designed for return grille.
 - ★ Anodized or powder coated white, colour RAL 9010, 9016, other colours on request.
 - ★ The blades are 45° and fixed with frame.
 - ★ Fixing with mounting frame SFR .
 - ★ All sizes can be produced upon request.

Single deflection grille

Specification(mm)	Neck size(mm)	Overall size(mm)
200x100	180x80	232x132
250x150	230x130	282x182
300x200	280x180	332x232
350x250	330x230	382x282
.....
1000x600	980x580	1032x632

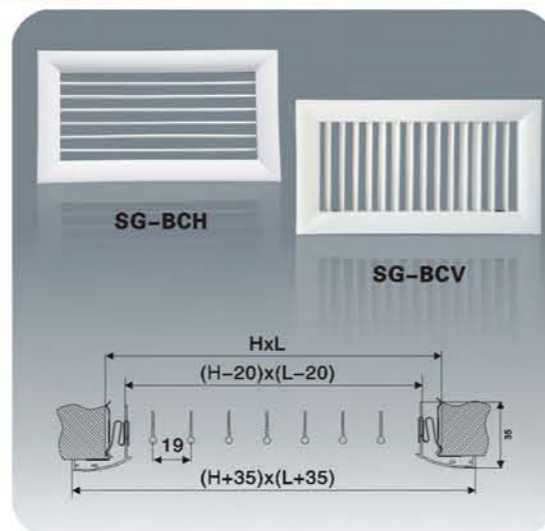
- ※ **Model:** SG-DFH/DFV
- ※ **Material:** Aluminum
- ※ **Feature:**
 - ★ Frame thick:1.1mm.
 - ★ The blades is fixed by wire and adjusted from 0-180 degree, control the airflow direction.
 - ★ The edge of frame could be orthogonal, the model number is SG-DFH/O,SG-DFV/O .
 - ★ Vertical blades or horizontal blades are ok.
 - ★ Anodized or powder coated white, colour RAL 9010, 9016, other colours on request.
 - ★ Fixing with mounting frame SFR or visible screws mounting.
 - ★ Sizes manufactured on request.



Single deflection grille

Specification (mm)	Neck size (mm)	Overall size (mm)
200x100	180x80	235x135
250x150	230x130	285x185
300x200	280x180	335x235
350x250	330x230	385x285
.....
1000x600	980x580	1035x635

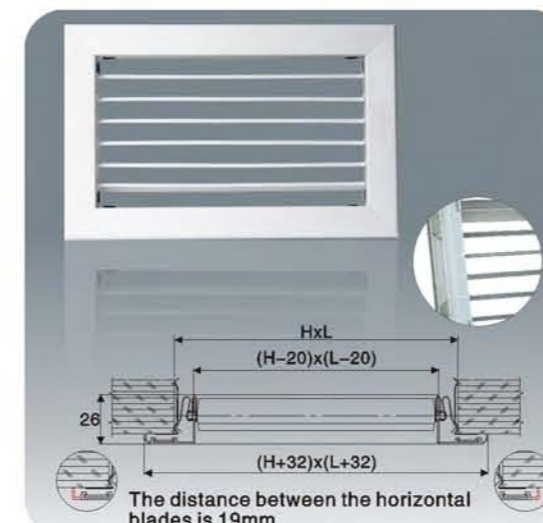
- ※ **Model:** SG-BCH/BCV
- ※ **Material:** Aluminum
- ※ **Feature:**
 - ★ Frame thick:1.1mm.
 - ★ The blades is fixed by wire and adjustable from 0-180 degree, control the airflow direction.
 - ★ The blades can be horizontal or vertical.
 - ★ Assembled before anodized and powder coated white, colour RAL 9010, 9016, other colours on request.
 - ★ Modern designed curved frames blend gently with wall or ceiling surfaces.
 - ★ The other size can be requested.
 - ★ Fixing with mounting frame SFR or visible matching finish mounting screws.



Single deflection grille

Specification(mm)	Neck size(mm)	Overall size(mm)
200x100	180x80	232x132
250x150	230x130	282x182
300x200	280x180	332x232
350x250	330x230	382x282
.....
1000x600	980x580	1032x632

- ※ **Model:** SG-F
- ※ **Material:** Aluminum
- ※ **Feature:**
 - ★ Frame thick:1.1mm.
 - ★ The blades are fixed by PE ring and can be adjusted from 0-180 degree, control the airflow direction.
 - ★ The edge of frame could be orthogonal, the model number is SG-F/O.
 - ★ Power coated white, RAL9010, RAL9016,other colours on request.
 - ★ For sidewall or ceiling application.
 - ★ Fixing with mounting frame SFR or visible screws mounting.
 - ★ All sizes can be produced upon request.



Single deflection grille

INCH	Specification(mm)	Neck size(mm)	Overall size(mm)
12x12	305x305	285x285	337x337
14x14	356x356	336x336	388x388
18x18	457x457	437x437	489x489
20x20	508x508	488x488	540x540
24x24	610x610	590x590	642x642

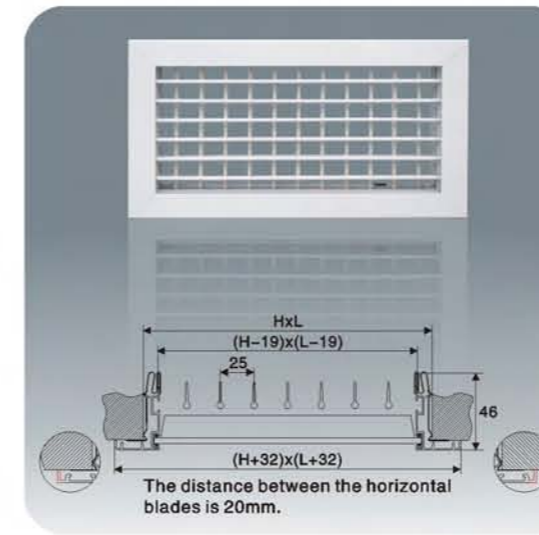
- ※ **Model:** SG-G-A
- ※ **Material:** Aluminum
- ※ **Feature:**
 - ★ Designed for return grille.
 - ★ Anodized or powder coated white, colour RAL9010,9016.
 - ★ The blade is curved and fixed with frame, frame is flat.
 - ★ The edge of frame could be orthogonal, the model number is SG-G-A/O.
 - ★ All size can be produced upon request.



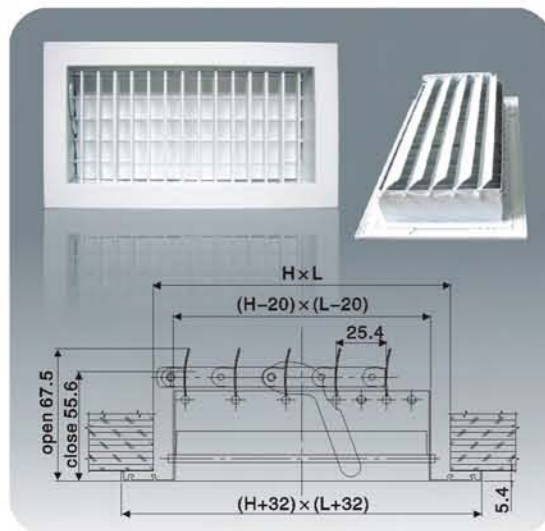
Double deflection grille

Specification(mm)	Necksize(mm)	Overallsize(mm)
200x100	181x81	232x132
250x150	231x131	282x182
300x200	281x181	332x232
350x250	331x231	382x282
.....
1000x600	981x581	1032x632

- ※ **Model:** DG-C
- ※ **Material:** Aluminum
- ※ **Feature:**
 - ★ Frame thick:1.2mm.
 - ★ The blade is fixed by PE ring and adjust from 0-180 degree, control the airflow direction.
 - ★ The edge of frame could be orthogonal, the model number is DG-C/O.
 - ★ Choice of Vertical or Horizontal front blades fitted to customers' requirements.
 - ★ Material powder coated before assemble.
 - ★ Fixing with mounting frame SFR or visible matching mounting screws.



Single deflection grille with damper



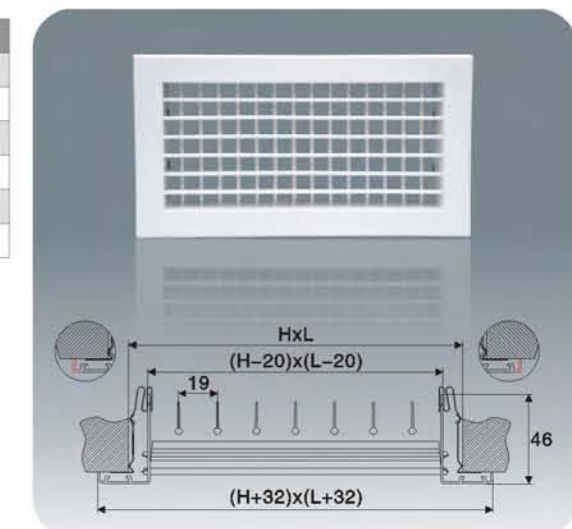
Specification(mm)	Neck size(mm)	Overall size(mm)
200x100	180x80	232x132
250x150	230x130	282x182
300x200	280x180	332x232
350x250	330x230	382x282
.....
1000x600	980x580	1032x632

- ※ **Model:** SG-D+VCD
- ※ **Material:** Aluminum
- ※ **Feature:**
 - ★ Designed for return grille.
 - ★ Anodized or powder coated white, colour RAL9010,9016.
 - ★ The blade is curved and fixed with frame, frame is flat.
 - ★ The damper could be adjusted by the bar in the front.
 - ★ All size can be produced upon request.

Double deflection grille

Specification(mm)	Necksize(mm)	Overallsize(mm)
200x100	180x80	232x132
250x150	230x130	282x182
300x200	280x180	332x232
350x250	330x230	382x282
.....
1000x600	980x580	1032x632

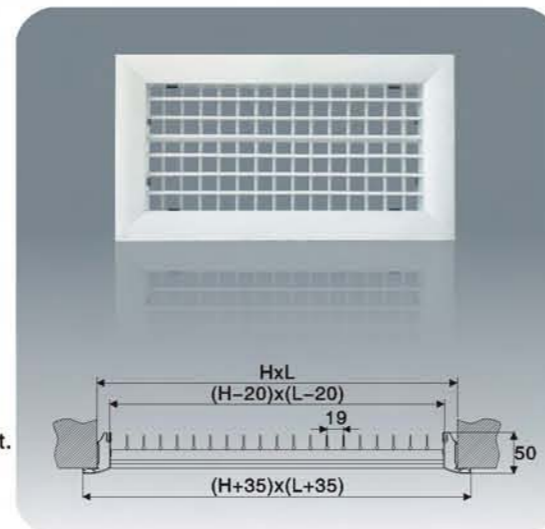
- ※ **Model:** DG-D
- ※ **Material:** Aluminum
- ※ **Feature:**
 - ★ Frame thick:1.1mm.
 - ★ The blades is fixed by wire and adjust from 0-180 degree, control the airflow direction.
 - ★ The edge of frame could be orthogonal, the model number is DG-D/O.
 - ★ Vertical front blades or horizontal front blades.
 - ★ Anodized or powder coated white, colour RAL 9010, 9016, other colours on request.
 - ★ Fixing with mounting frame SFR or visible screws mounting.
 - ★ Sizes manufactured on request.



Double deflection grille

Specification(mm)	Necksize(mm)	Overallsize(mm)
200x100	180x80	235x135
250x150	230x130	285x185
300x200	280x180	335x235
350x250	330x230	385x285
.....
1000x600	980x580	1035x635

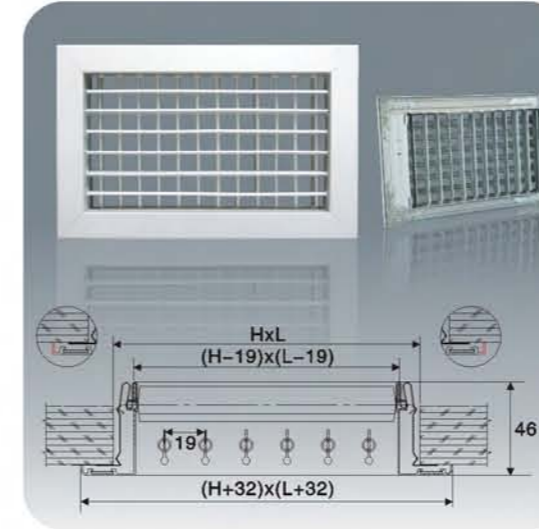
- ※ **Model:** DG-BC
- ※ **Material:** Aluminum
- ※ **Feature:**
 - ★ Frame thick:1.0mm.
 - ★ The blades are fixed by wire and adjustable from 0-180 degree, giving required controllable airflow direction.
 - ★ Choice of Vertical or Horizontal front blades fitted to customer's requirements.
 - ★ Anodized or powder coated white , colour RAL 9010, 9016, othe rcolours on request.
 - ★ Frame finished with a curved profile.
 - ★ Fix using mounting frame SFR or visible matching finish mount- ing screws.
 - ★ All sizes can be produced upon request.



Double deflection grille

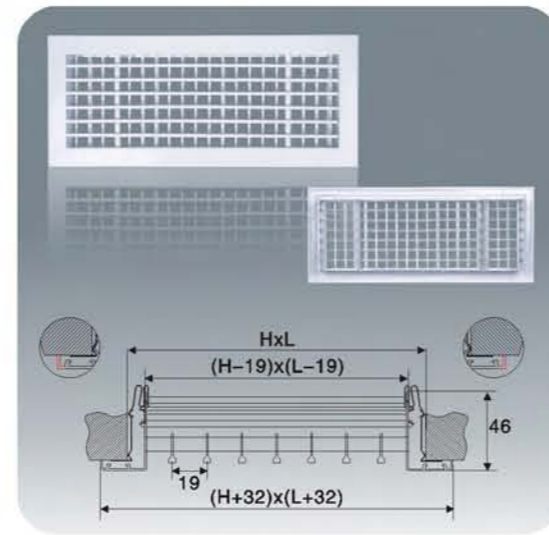
Specification(mm)	Necksize(mm)	Overallsize(mm)
200x100	180x80	232x132
250x150	230x130	282x182
300x200	281x180	332x232
350x250	330x230	382x282
.....
1000x600	980x580	1032x632

- ※ **Model:** DG-F
- ※ **Material:** Aluminum
- ※ **Feature:**
 - ★ Frame thick:1.1mm.
 - ★ The blades are fixed by PE ring and can be adjusted from 0-180 degree, control the airflow direction.
 - ★ The edge of frame could be orthogonal, the model number is DG-F/O.
 - ★ Vertical front blades or horizontal front blades.
 - ★ Anodized or powder coated white, colour RAL 9010, 9016, other colours on request.
 - ★ Fixing with mounting frame SFR or visible screws mounting.
 - ★ Sizes manufactured on request.



Double deflection grille

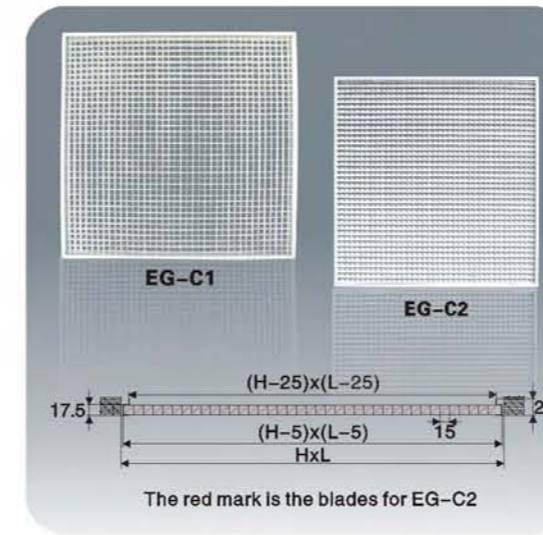
Specification(mm)	Necksize(mm)	Overallsize(mm)
200x100	180x80	232x132
250x150	230x130	282x182
300x200	280x180	332x232
350x250	330x230	382x282
.....
1000x600	980x580	1032x632



- ※ **Model:** DG-H
- ※ **Material:** Aluminum
- ※ **Feature:**
 - ★ The first deflection is the same as linear bar grille.
 - ★ The blade is fixed by wire and adjustable from 0-180 degree, control the airflow direction.
 - ★ The edge of frame could be orthogonal, the model number is DG-H/O.
 - ★ Assembled before powder coated or anodized.
 - ★ Size manufacture on request.

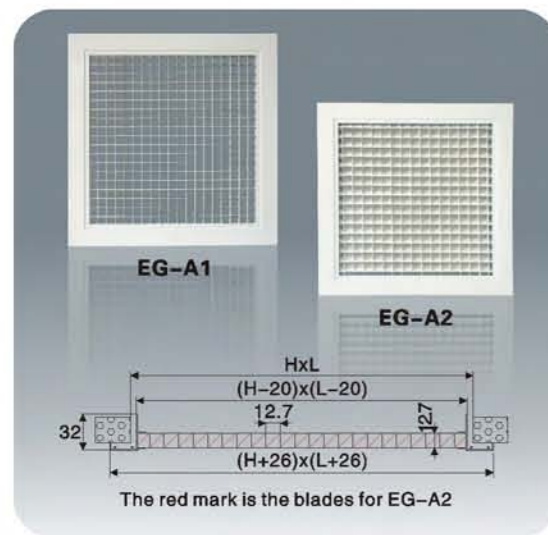
Eggcrate grille

Specification(mm)	Neck size(mm)	Overall size(mm)
600x300	575x275	595x295
600x600	575x575	595x595



- ※ **Model:** EG-C1/C2
- ※ **Material:** Aluminum
- ※ **Feature:**
 - ★ Frame thick:1.0mm.
 - ★ Anodized or powder coated white, colour RAL 9010,9016. Ideal for return air application.
 - ★ 15*15mm square lattice core.
 - ★ The blades can be 0° or 45°.
 - ★ All sizes can be produced upon request.

Eggcrate grille

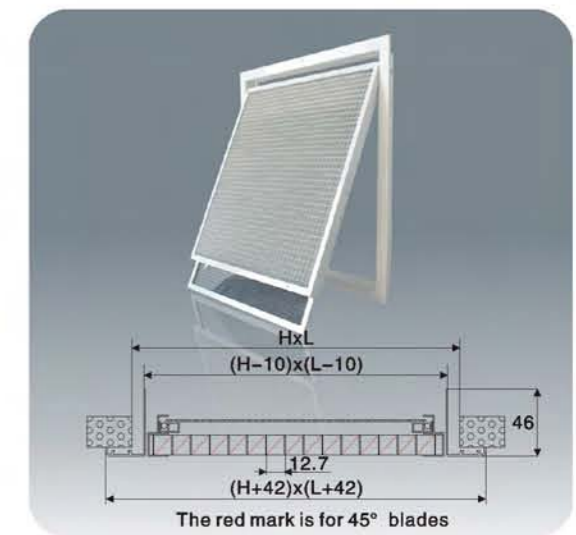


Specification(mm)	Neck size(mm)	Overall size(mm)
300x300	280x280	326x326
500x500	480x480	526x526
570x570	550x550	596x596

- ※ **Model:** EG-A1/A2
- ※ **Material:** Aluminum
- ※ **Feature:**
 - ★ Frame thick:1.0mm.
 - ★ Designed for return air, High free area: 90%.
 - ★ Anodized or powder coated white, colour RAL 9010, 9016, other colours on request.
 - ★ 12.7*12.7 mm square lattice core the blades Inclined 0° or 45°.
 - ★ Filter could be included.
 - ★ The other sizes can be requested.
 - ★ Fixing with mounting frame SFR or visible screws mounting.

Eggcrate grille

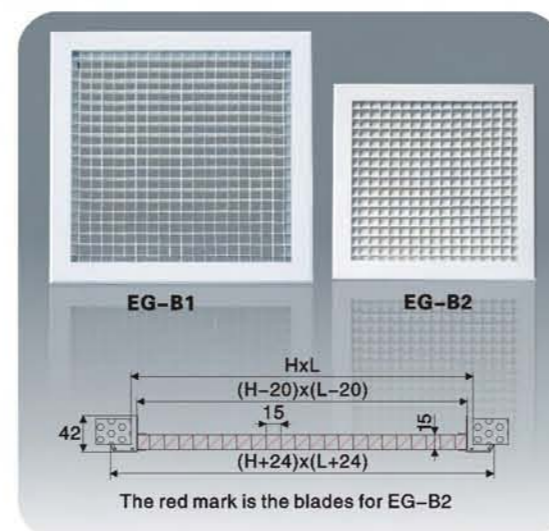
Specification(mm)	Neck size(mm)	Overall size(mm)
300x300	290x290	342x342
500x500	490x490	542x542
565x565	555x555	607x607



- ※ **Model:** EG-D
- ※ **Material:** Aluminum
- ※ **Feature:**
 - ★ Frame thick:1.1mm.
 - ★ Designed for return air with filter.
 - ★ Removable or hinged cores for easy maintenance.
 - ★ 12.7*12.7mm square lattice core.
 - ★ The blades can be 0° or 45°.
 - ★ High free area:90%.
 - ★ All sizes can be produced upon request.

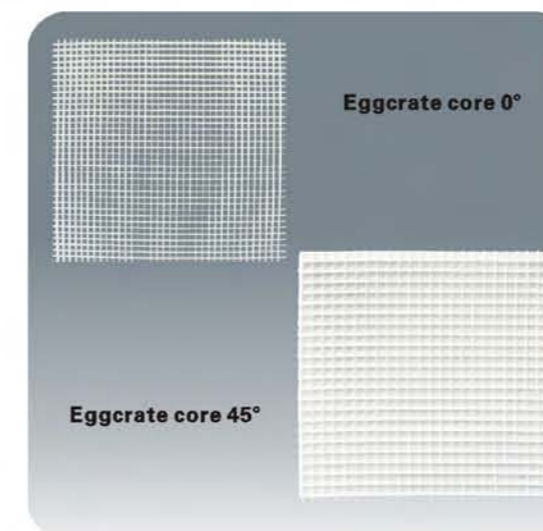
Eggcrate grille

Specification(mm)	Neck size(mm)	Overall size(mm)
300x300	280x280	324x324
500x500	480x480	524x524
565x565	545x545	594x594

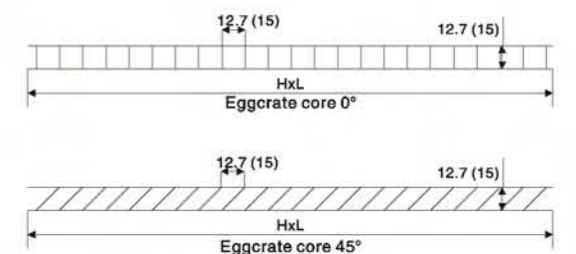


- ※ **Model:** EG-B1/B2
- ※ **Material:** Aluminum
- ※ **Feature:**
 - ★ Frame thick:1.1mm.
 - ★ Ideal for return air application.
 - ★ 15*15mm square lattice core, the blades Inclined 0° or 45°.
 - ★ Fixing with SFR frame, removable for inspection and maintenance.
 - ★ The other sizes can be requested.
 - ★ Fixing with mounting frame SFR or visible screws mounting.

Eggcrate grille

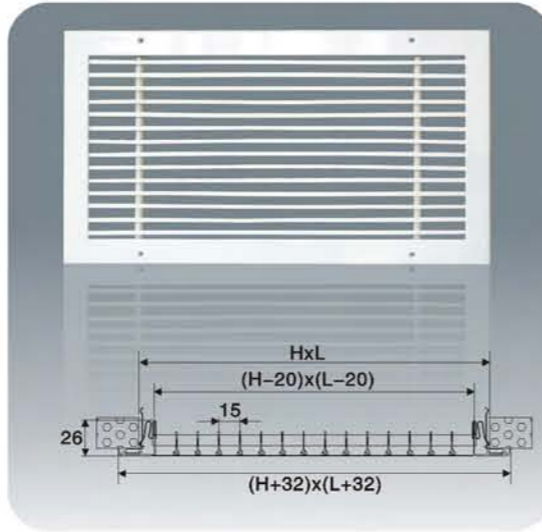


- ※ **Model:** Eggcrate core 0° /45°
- ※ **Material:** Aluminum
- ※ **Feature:**
 - ★ Blade thick:0.4mm.
 - ★ Painted white or nature color.
 - ★ 15*15mm or 12.7*12.7mm square lattice core.
 - ★ The blades can be 0° or 45°.
 - ★ The other size can be request and can be easily cut to different sizes.



Linear diffuser

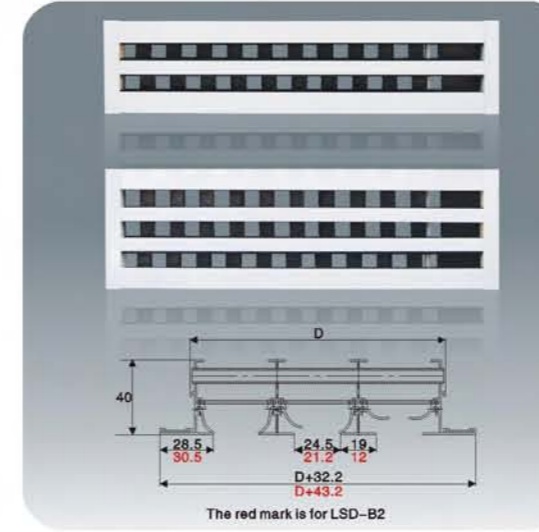
Specification(mm)	Necksize(mm)	Overallsize(mm)
200x100	180x80	232x132
250x150	230x130	282x182
300x200	280x180	332x232
350x250	330x230	382x282
.....
1000x600	980x580	1032x632



- ※ **Model:** LD-B
- ※ **Material:** Aluminum
- ※ **Feature:**
 - ★ Frame thick:1.1mm.
 - ★ Frame is flat.
 - ★ Anodized or powder coated white, colour RAL 9010,9016, other colours on request.
 - ★ The blades is 0 degree.
 - ★ The other size can be request.

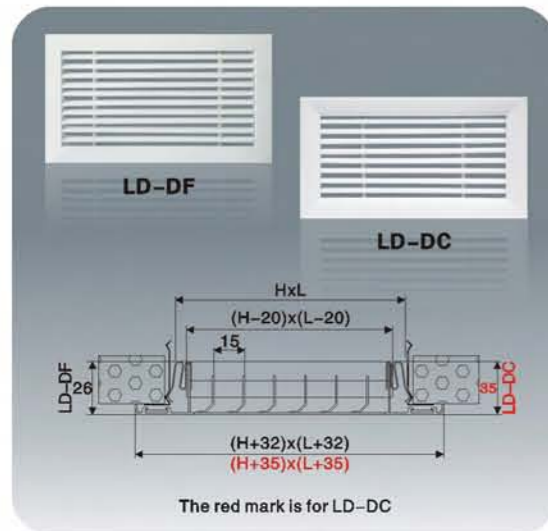
Linear slot diffuser

Specification (mm)	LSD-B1		LSD-B2	
	Neck size (mm)	Overall size (mm)	Neck size (mm)	Overall size (mm)
1S-495	495 × 49.3	527 × 81.5	495 × 39	527 × 82.2
2S-990	990 × 92.8	1022 × 125	990 × 72.2	1022 × 115.4
3S-1195	1195 × 136.3	1227 × 168.5	1195 × 105.4	1227 × 148.6
4S-1495	1495 × 179.8	1527 × 212	1495 × 138.6	1527 × 181.8



- ※ **Model:** LSD-B1/B2
- ※ **Material:** Aluminum
- ※ **Feature:**
 - ★ Frame thick:1.2mm.
 - ★ Designed for variable air volume systems.
 - ★ The blades anodized black and the frame powder coated white.
 - ★ Both the volume of the discharged air can be adjusted by moving the blades.
 - ★ Available with 1-6slots.
 - ★ The cutting part adopts the unique way of continuation. Even the over length size has an integrative sense too.

Linear diffuser

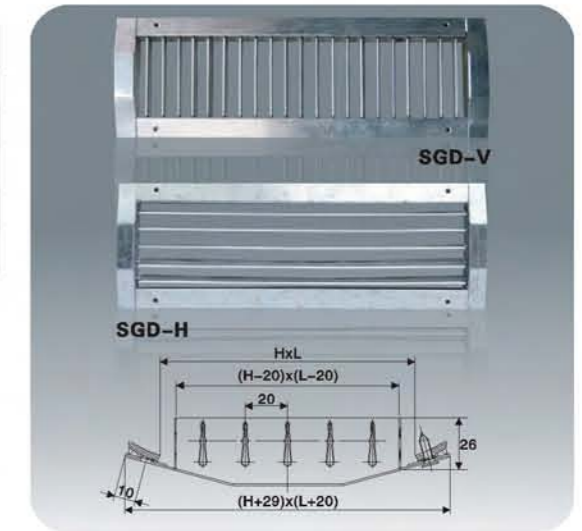


Specification (mm)	Neck size (mm)	LD-DF Overall size (mm)	LD-DC Overall size (mm)
200x100	180x80	232x132	235x135
250x150	230x130	282x182	285x185
300x200	280x180	332x232	335x235
350x250	330x230	382x282	385x285
.....
1000x600	980x580	1032x632	1035x635

- ※ **Model:** LD-DF/DC
- ※ **Material:** Aluminum
- ※ **Feature:**
 - ★ Frame thick:1.1mm.
 - ★ Frame is flat or curved.
 - ★ Anodized or powder coated white, colour RAL 9010,9016, other colours on request.
 - ★ The blades is 30 degree. The other size can be request.

Grille for spiral duct

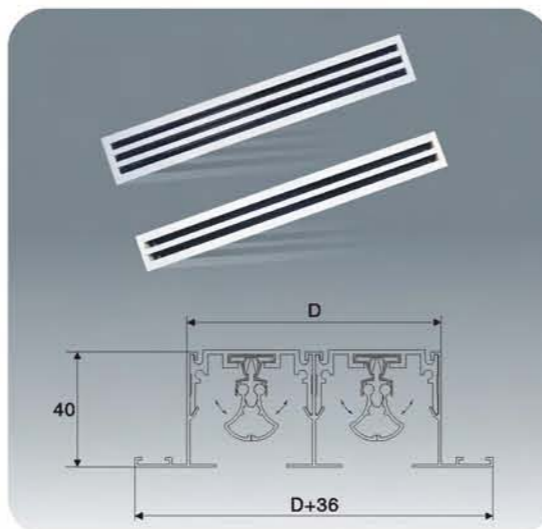
Specification(mm)	Neck size(mm)	Overall size(mm)
425x75	405x55	454x95
525x125	505x105	554x145
625x175	605x155	654x195
825x225	805x205	854x245
1025x225	1005x205	1054x245



- ※ **Model:** SGD-V/H
- ※ **Material:**galvanized steel sheet
- ※ **Feature:**
 - ★ Frame thick:0.8mm/1.0mm.
 - ★ Installed directly on a circular duct without frames or other fastening devices.
 - ★ The blades can be adjusted manually and individually to obtain an optimal air distribution.

Linear slot diffuser

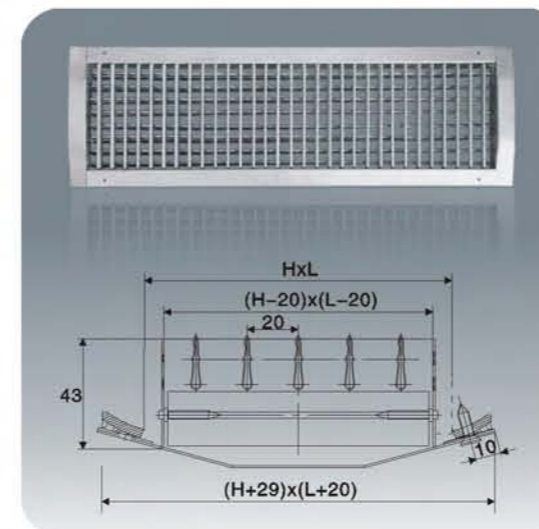
Specification(mm)	Neck size(mm)	Overall size(mm)
1S-495	495 × 44.5	527 × 80.5
2S-990	990 × 88	1022 × 124
3S-1195	1195 × 131.5	1227 × 167.5
4S-1495	1495 × 175	1527 × 211
.....
.....



- ※ **Model:** LSD-A
- ※ **Material:** Aluminum
- ※ **Feature:**
 - ★ Frame thick:1.2mm
 - ★ Designed for variable air volume systems.
 - ★ The blades is black and the frame powder coated white or anodized.
 - ★ Both the directions and volume of the discharged air can be adjusted by moving the pattern controllers, which can set vertical, level, or oblique air current.
 - ★ Available with 1-6slots.
 - ★ The cutting part adopts the unique way of continuation. Even the over length size has an integrative sense too.

Grille for spiral duct

Specification(mm)	Neck size(mm)	Overall size(mm)
425x75	405x55	454x95
525x125	505x105	554x145
625x175	605x155	654x195
825x225	805x205	854x245
1025x225	1005x205	1054x245



- ※ **Model:** DGD
- ※ **Material:** galvanized steel sheet
- ※ **Feature:**
 - ★ Frame thick:0.8mm/1.0mm.
 - ★ Installed directly on a circular duct without frames or other fastening devices.
 - ★ The blades can be adjusted manually and individually to obtain an optimal air distribution.

Door link grille

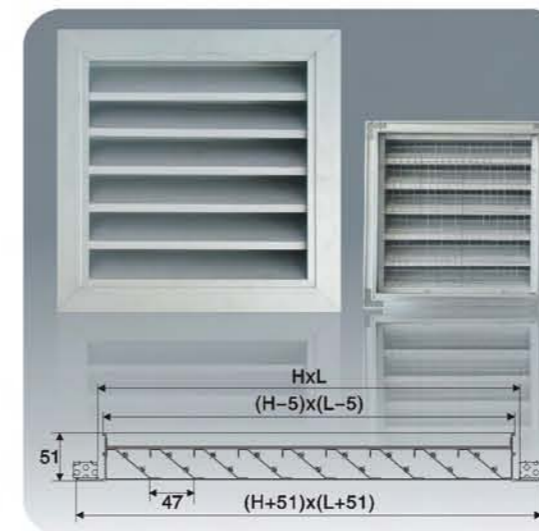
Specification(mm)	Necksize(mm)	Overallsize(mm)
200x100	190x90	242x142
250x150	240x140	292x192
300x200	290x190	342x242
350x250	340x240	392x292
.....
1000x600	990x590	1042x642



- ※ **Model:**RG-DL
- ※ **Material:** Aluminum
- ※ **Feature:**
 - ★ Frame thick:1.1mm.
 - ★ With an additional outer frame and hinged lock.
 - ★ The grille face is hinged to outer frame.
 - ★ The central core is removable for cleaning and replacement.
 - ★ The filter can be either nylon or aluminum.

Water proof grille

Specification(mm)	Neck size(mm)	Overall size(mm)
150x200	145x195	201x251
200x250	195x245	251x301
250x300	245x295	301x351
300x350	295x345	351x401
350x400	345x395	401x451
.....



- ※ **Model:** RG-WP1
- ※ **Material:** Aluminum
- ※ **Feature:**
 - ★ Frame thick:1.0mm, blade thick:1.0mm.
 - ★ Designed for outdoor installation.
 - ★ Anodized or powered-coated.
 - ★ Blades with return bends at its uppers edge which effectively.
 - ★ Prevent the backflow in rain and high wind conditions.
 - ★ Suitable for intake or exhaust system.

Door link grille

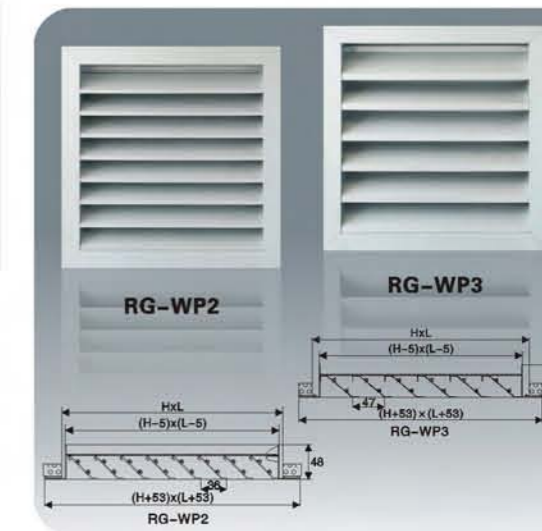


INCH	Specification(mm)	Neck size(mm)	Overall size(mm)
14x14	356x356	340x340	392x392
16x16	407x407	391x391	442x442
18x18	457x457	441x441	493x493
20x20	508x508	492x492	544x544
.....
24x24	610x610	594x594	646x646

- ※ **Model:**RG-DL-A
- ※ **Material:**Aluminum
- ※ **Feature:**
 - ★ With an additional outer frame and hinged lock.
 - ★ The grille face is hinged to outer frame.
 - ★ The filter is removable for cleaning and replacement.

Water proof grille

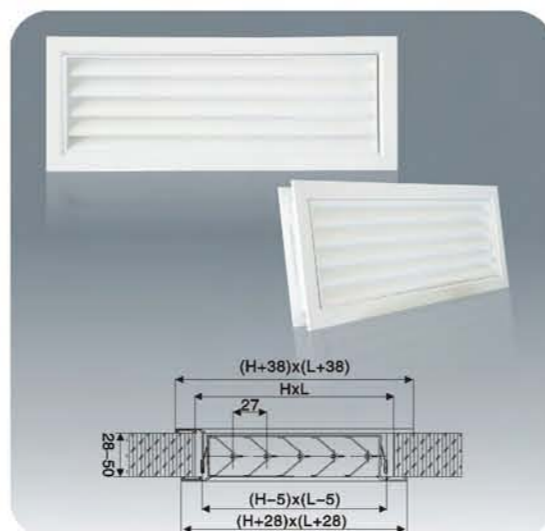
Specification(mm)	Neck size(mm)	Overall size(mm)
150x200	145x195	203x253
200x250	195x245	253x303
250x300	245x295	303x353
300x350	295x345	353x403
350x400	345x395	403x453
.....



- ※ **Model:** RG-WP2/WP3
- ※ **Material:** Aluminum
- ※ **Feature:**
 - ★ Frame thick:1.0mm, RG-WP2 blade thick:1.3mm, RG-WP3 blade thick:1.0mm.
 - ★ Designed for outdoor installation.
 - ★ Anodized or powered-coated.
 - ★ Blades with return bends at its uppers edge which effectively prevent the back flow in rain and high wind conditions.
 - ★ Suitable for intake or exhaust system.

Door grille

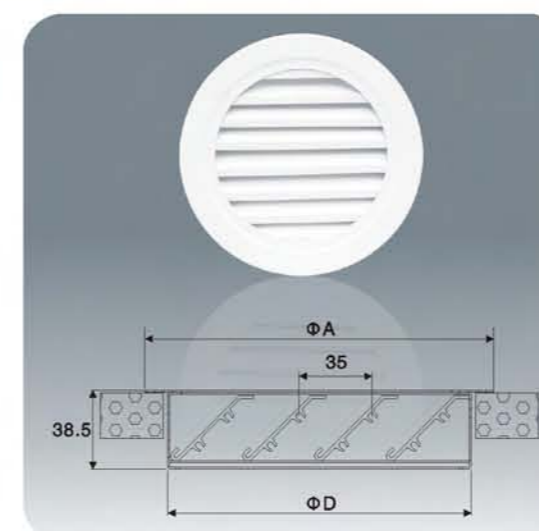
Specification(mm)	Neck size(mm)	Overall size(face)(mm)	Overall size(back)(mm)
200x100	195x95	238x138	228x128
250x150	245x145	288x188	278x178
300x200	295x195	338x238	328x228
350x250	345x245	388x288	378x278
.....
1000x600	995x595	1038x638	1028x628



- ※ **Model:** RG-DT
- ※ **Material:** Aluminum
- ※ **Feature:**
 - ★ Made from extruded aluminium.
 - ★ Anodized or powder coated white, colour RAL 9010, 9016, other colours on request.
 - ★ Wall or door mouting for air transfer.
 - ★ Sizes manufactured on request.

Round water proof grille

Specification(mm)	Neck size(mm)	Overall size(mm)
Φ200	Φ200	Φ250
Φ250	Φ250	Φ300
Φ300	Φ300	Φ350
Φ350	Φ350	Φ400
Φ400	Φ400	Φ450
.....



- ※ **Model:** RG-WPR
- ※ **Material:** Aluminum
- ※ **Feature:**
 - ★ Frame thick:1.0mm.
 - ★ Designed for outdoor installation.
 - ★ Anodized or powered-coated.
 - ★ The frame is circular.
 - ★ Blades with return bends at its uppers edge which effectively prevent the back flow in rain and high wind conditions.
 - ★ Suitable for intake or exhaust system.

Round air diffuser

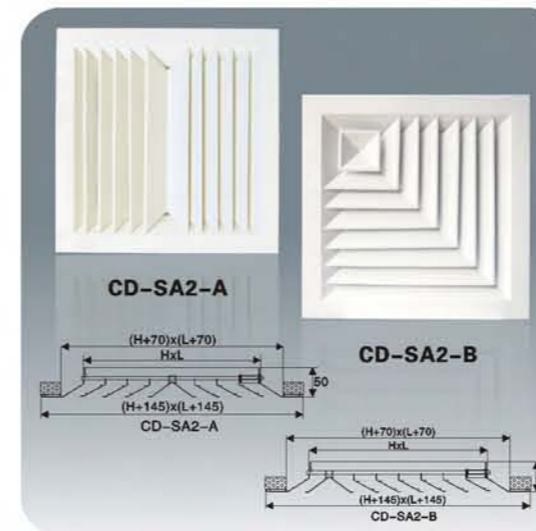
Specification(mm)	Neck size(mm)	Overall size(mm)
Φ150	Φ150	Φ260
Φ200	Φ200	Φ310
Φ250	Φ250	Φ360
Φ300	Φ300	Φ410
Φ350	Φ350	Φ460



- ※ **Model:** CD-R
- ※ **Material:** Aluminum
- ※ **Feature:**
 - ★ Used for the supply and exhaust of cooled and heated air, fixing on the ceiling of senior hotel, supermarket. ect.
 - ★ Assembled before powder coated or anodized.
 - ★ The centre core is removable for easy maintenance.
 - ★ Be together with integral butterfly volume damper made of plastic.

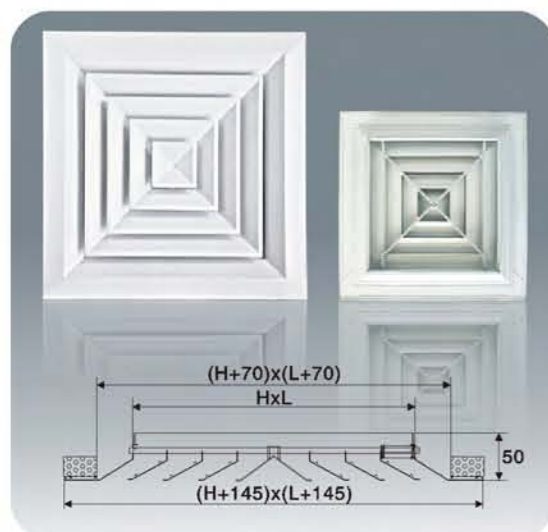
Square air diffuser

Specification(mm)	Neck size(mm)	Overall size(mm)
150 × 150	150 × 150	295 × 295
225 × 225	225 × 225	370 × 370
300 × 300	300 × 300	445 × 445
375 × 375	375 × 375	520 × 520
450 × 450	450 × 450	595 × 595
.....



- ※ **Model:** CD-SA2-A/B
- ※ **Material:** Aluminum
- ※ **Feature:**
 - ★ Frame thick:1.0/1.2mm.
 - ★ Anodized or powder coated white, colour RAL 9010,9016, other colours on request.
 - ★ Used for the supply and exhaust of cooled and heated air.
 - ★ The centre core is removable for easy maintenance.
 - ★ Used in conjunction with VCD-A, VCD-B, VCD-C.

Square air diffuser

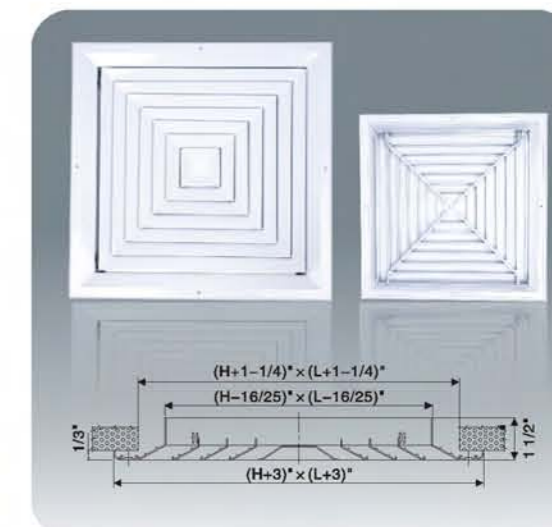


Specification(mm)	Neck size(mm)	Overall size(mm)
150 × 150	150 × 150	295 × 295
225 × 225	225 × 225	370 × 370
300 × 300	300 × 300	445 × 445
375 × 375	375 × 375	520 × 520
450 × 450	450 × 450	595 × 595
.....

- ※ **Model:** CD-SA4
- ※ **Material:** Aluminum
- ※ **Feature:**
 - ★ Frame thick:1.0/1.2mm.
 - ★ Anodized or powder coated white, colour RAL 9010,9016, other colours on request.
 - ★ Used for the supply and exhaust of cooled and heated air.
 - ★ The centre core is removable for easy maintenance.
 - ★ Used in conjunction with VCD-A, VCD-B, VCD-C.

Square air diffuser

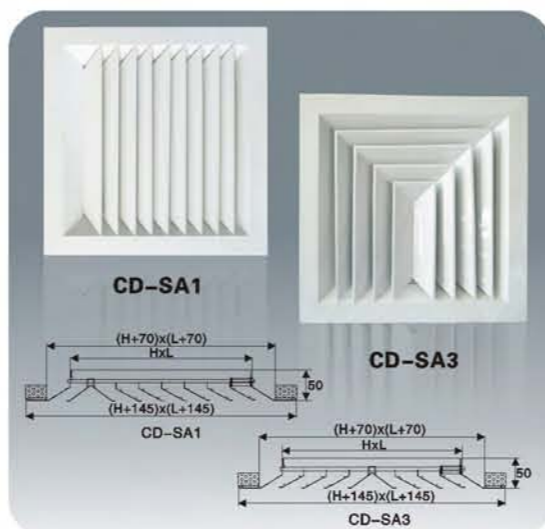
INCH	Specification(mm)	Neck size(mm)	Overall size(mm)
8X8	203X203	188X188	280X280
12X12	305X305	289X289	381X381
16x16	406x406	391x391	483x483
18X18	457X457	441X441	533X533
20X20	508X508	492X492	584X584



- ※ **Model:** CD-SA4-A
- ※ **Material:** Aluminum
- ※ **Feature:**
 - ★ Powder coated white or anodized
 - ★ Used for the supply and exhaust of cooled and heated air.
 - ★ The centre core is removable for easy maintenance.

Square air diffuser

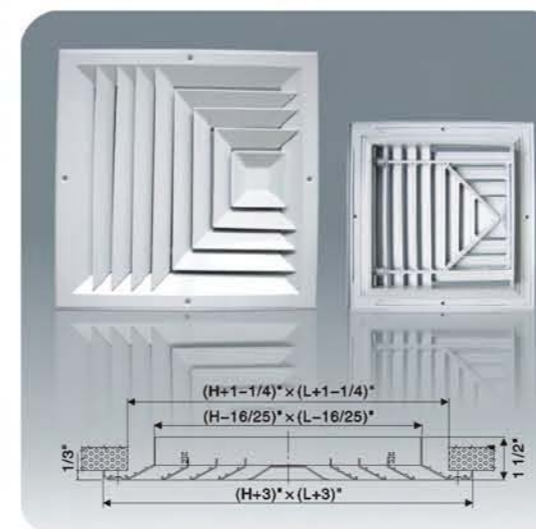
Specification(mm)	Neck size(mm)	Overall size(mm)
150 × 150	150 × 150	295 × 295
225 × 225	225 × 225	370 × 370
300 × 300	300 × 300	445 × 445
375 × 375	375 × 375	520 × 520
450 × 450	450 × 450	595 × 595
.....



- ※ **Model:** CD-SA1/SA3
- ※ **Material:** Aluminum
- ※ **Feature:**
 - ★ Frame thick:1.0/1.2mm.
 - ★ Anodized or powder coated white, colour RAL 9010, 9016, other colours on request.
 - ★ Used for the supply and exhaust of cooled and heated air.
 - ★ The centre core is removable for easy maintenance.
 - ★ Used in conjunction with VCD-A, VCD-B, VCD-C.

Square air diffuser

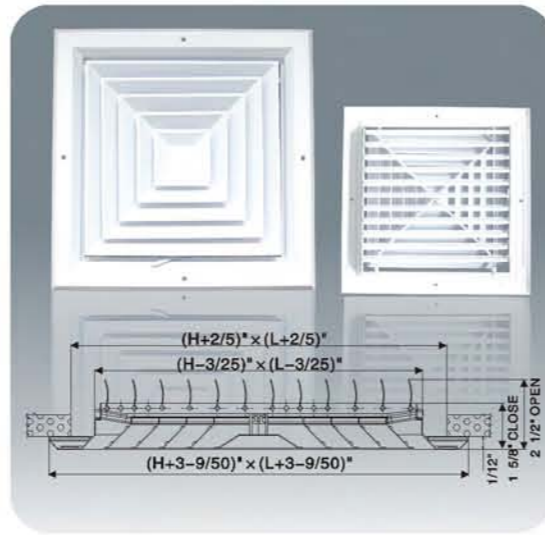
INCH	Specification(mm)	Neck size(mm)	Overall size(mm)
8X8	203X203	188X188	280X280
12X12	305X305	289X289	381X381
16x16	406x406	391x391	483x483
18X18	457X457	441X441	533X533
20X20	508X508	492X492	584X584



- ※ **Model:** CD-SA3-A
- ※ **Material:** Aluminum
- ※ **Feature:**
 - ★ Powder coated white or anodized
 - ★ Used for the supply and exhaust of cooled and heated air.
 - ★ The centre core is removable for easy maintenance.

Square air diffuser with damper

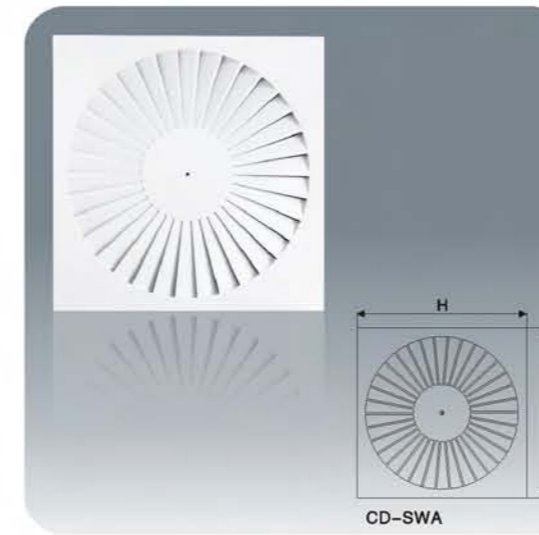
INCH	Specification(mm)	Neck size(mm)	Overall size(mm)
8X8	203X203	200X200	284X284
12X12	305X305	302X302	386X386
16x16	406x406	403X403	488x488
18X18	457X457	454x454	538X538
20X20	508X508	505x505	589X589



- ※ **Model:** CD-SA4-A2+VCD
- ※ **Material:** Aluminum
- ※ **Feature:**
 - ★ Powder coated white or anodized.
 - ★ Used for the supply and exhaust of cooled and heated air.
 - ★ The centre core is removable for easy maintenance.
 - ★ The damper can control air flow.

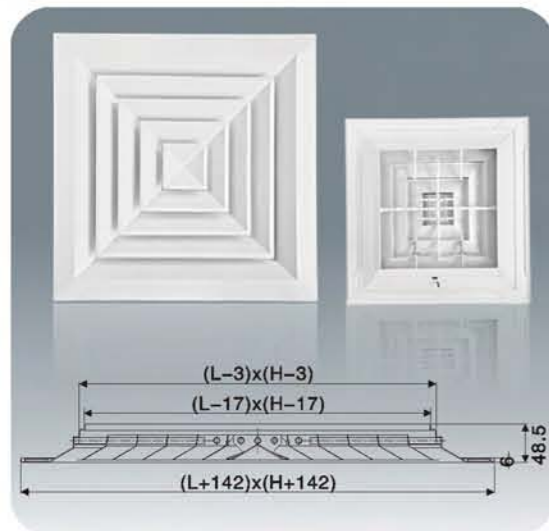
Swirl air diffuser

Specification(mm)	Neck size(mm)	Overall size(mm)
.....
595x595	595x595
625x625	625x625
.....
.....



- ※ **Model:** CD-SWA
- ※ **Material:** Cold rolled iron plate
- ※ **Feature:**
 - ★ Frame thick:1.0mm.
 - ★ Generate high-quality diffuser air flow according to the principle of turbulent mixing air flow.
 - ★ Powder coated with white RAL9010 or 9016.
 - ★ Low sound power level and pressure loss.
 - ★ Installation: suspended false ceiling or below closed false ceiling.

Square air diffuser

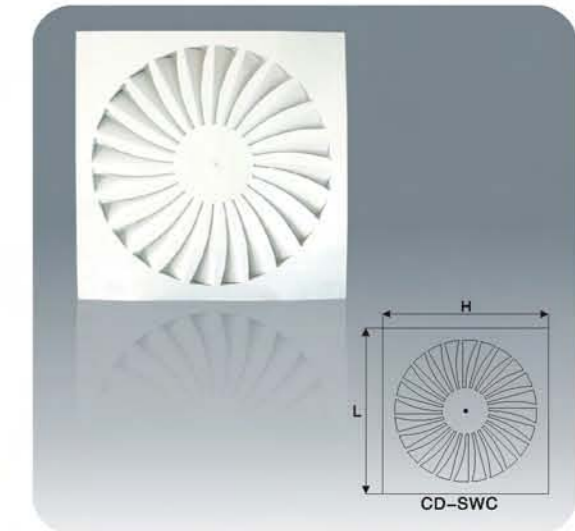


Specification(mm)	Neck size(mm)	Overall size(mm)
150x150	150x150	292x292
225x225	225x225	367x367
300x300	300x300	442x442
375x375	375x375	517x517
450x450	450x450	592x592

- ※ **Model:** CD-SB
- ※ **Material:** Aluminium
- ※ **Feature:**
 - ★ Be powder coated white or anodized.
 - ★ Used for the supply and exhaust of cooled and heated air.
 - ★ The blades are punched for one time. The centre core is removable for easy maintenance.
 - ★ Be together with VCD-A, VCD-C.
 - ★ Available size is 595*595,450*450,300*300mm.

Swirl air diffuser

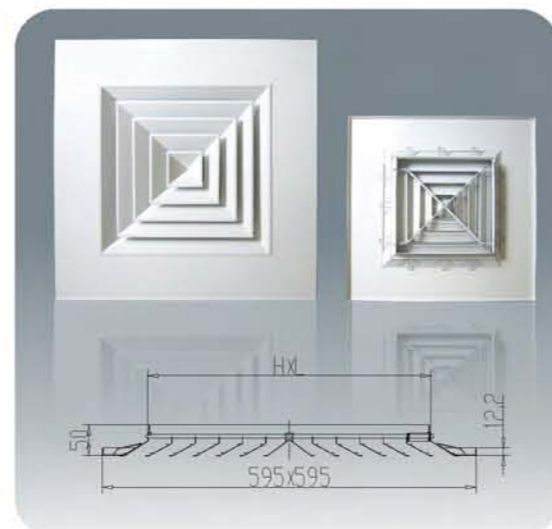
Specification(mm)	Neck size(mm)	Overall size(mm)
.....
595x595	595x595
625x625	625x625
.....
.....



- ※ **Model:** CD-SWC
- ※ **Material:** Cold rolled iron plate
- ※ **Feature:**
 - ★ Frame thick:1.0mm.
 - ★ Generate high-quality diffuser air flow according to the principle of turbulent mixing air flow.
 - ★ Powder coated with white RAL9010 or 9016.
 - ★ Low sound power level and pressure loss.
 - ★ Installation: suspended false ceiling or below closed false ceiling.

Square air diffuser

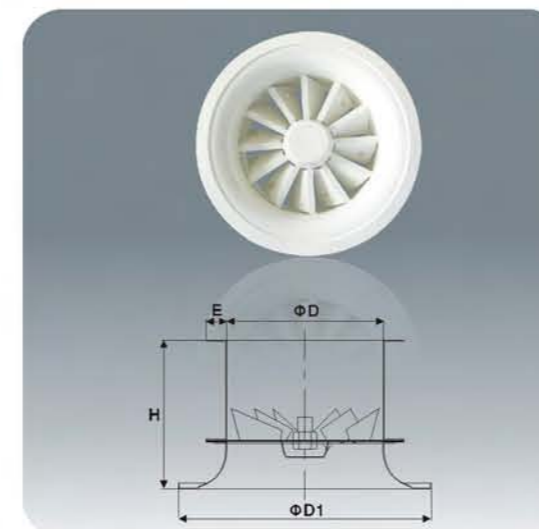
Specification(mm)	Neck size(mm)	Overall size(mm)
150x150	150x150	595x595
225x225	225x225	595x595
300x300	300x300	595x595
373x373	373x373	595x595
450x450	450x450	595x595



- ※ **Model:** CD-SC4
- ※ **Material:** Aluminium and steel
- ※ **Feature:**
 - ★ Powder coated white or anodized
 - ★ Used for the supply and exhaust of cooled and heated air.
 - ★ The frame is steel.
 - ★ The centre core is removable for easy maintenance. Be together with VCD-A, VCD-C

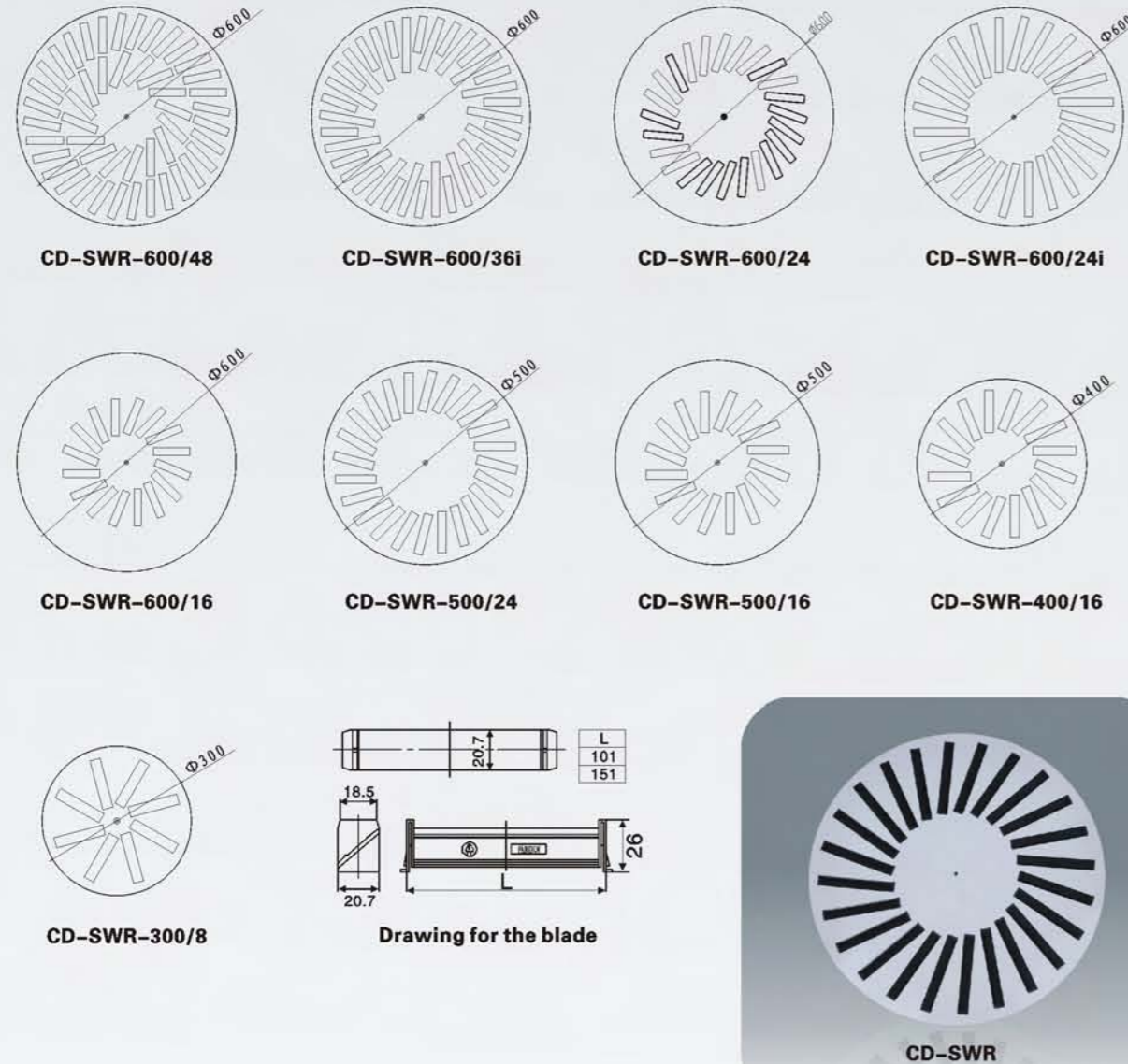
Swirl air diffuser

Type	ΦD	ΦD1	H	E	V(m ³ /h)	ΔPt(Pa)
200	200	320	188	25	450	50
250	250	368	188	25	750	50
315	315	480	240	25	1500	60
350	350	515	240	25	2000	60
400	400	565	240	30	2500	75
500	500	665	240	30	3000	80
630	630	870	300	30	3500	85



- ※ **Model:** CD-SWB
- ※ **Material:** Aluminium and galvanized sheet steel
- ※ **Feature:**
 - ★ Frame thick:1.0mm.
 - ★ Be used with large floor to ceiling heights e. g. factories, airport terminals.
 - ★ Adjustable vanes and outer discharge nozzle. The discharge angle can be altered horizontally, 45° or vertically.
 - ★ The diffuser face is in galvanized sheet steel, and the outer discharge nozzle is deep drawn aluminum. The surface is powder coated white.
 - ★ Used in conjunction with a plenum box.
 - ★ Be mounted flush in a ceiling or suspended in free space.

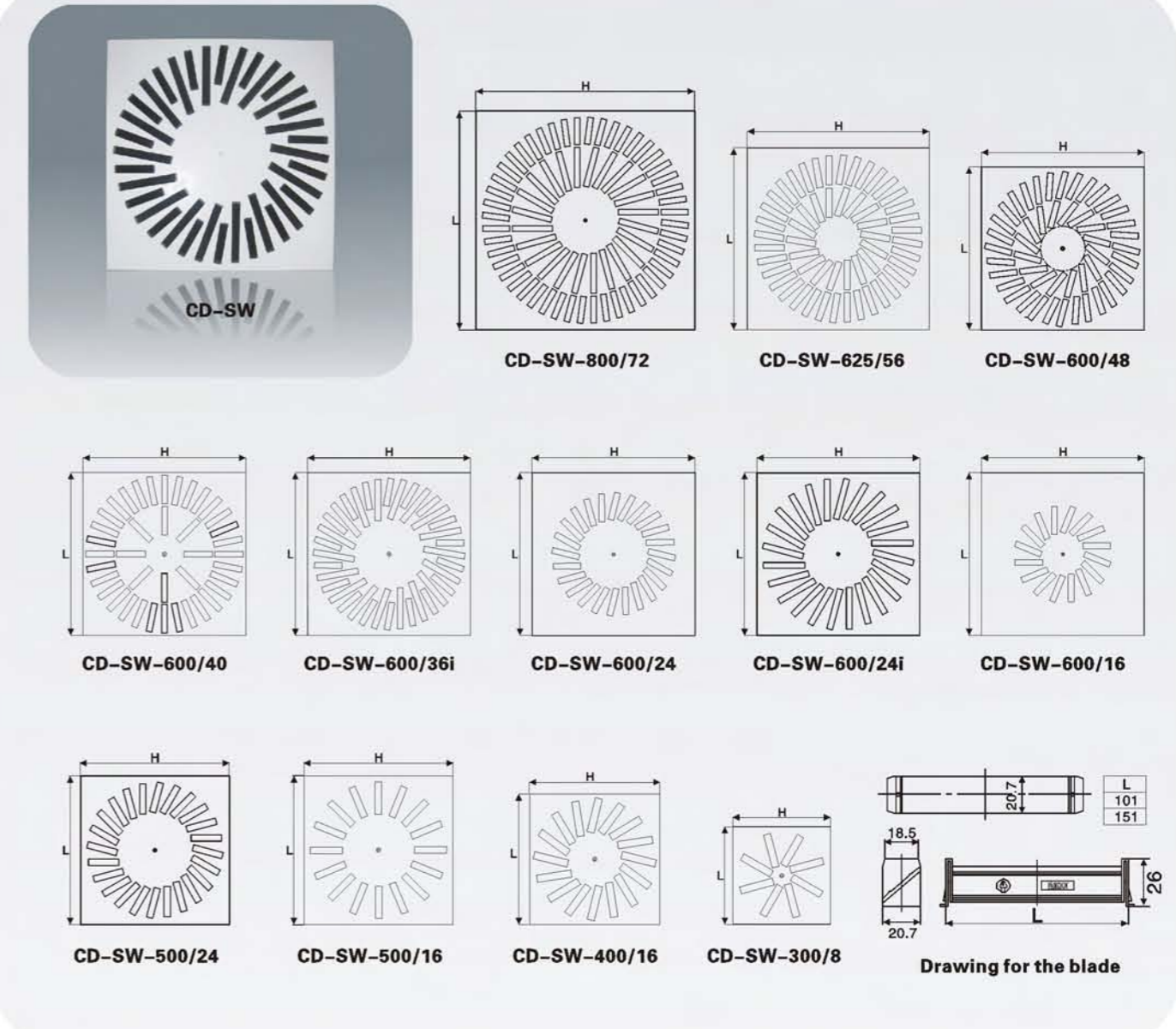
Round swirl air diffuser



- ※ **Model:** CD-SWR
- ※ **Material:** Cold rolled sheet steel
- ※ **Feature:**
- ★ Frame thick:1.0mm.
- ★ For both supply and exhaust air.
- ★ Powder coated white RAL9010 or 9016.
- ★ The black plastic blades can be adjusted manually.
- ★ Easy to assemble. The blades are plastic.

Specification	Face size	Blade 100	Blade 150
CD-SWR-300/8	Φ300	8	0
CD-SWR-400/16	Φ400	16	0
CD-SWR-500/16	Φ500	16	0
CD-SWR-500/24	Φ500	24	0
CD-SWR-600/16	Φ600	16	0
CD-SWR-600/24i	Φ600	0	24
CD-SWR-600/36i	Φ600	18	18
CD-SWR-600/48	Φ600	48	0

Swirl Diffusers



- ※ **Model:** CD-SW
- ※ **Material:** Cold rolled sheet steel
- ※ **Feature:**
- ★ Frame thick:1.0mm.
- ★ For both supply and exhaust air.
- ★ Powder coated white RAL9010 or 9016.
- ★ The black plastic blades can be adjusted manually.
- ★ Easy to assemble.
- ★ The blades are plastic.

Specification	Face size	Blade 100	Blade 150
CD-SW-300/8	298x298	8	0
CD-SW-400/16	398x398	16	0
CD-SW-500/16	498x498	16	0
CD-SW-500/24	498x498	24	0
CD-SW-600/16	595x595	16	0
CD-SW-600/24	595x595	24	0
CD-SW-600/24i	595x595	0	24
CD-SW-600/36i	595x595	18	18
CD-SW-600/40	595x595	40	0
CD-SW-600/48	595x595	48	0
CD-SW-625/56	623x623	56	0
CD-SW-800/72	798x798	48	24

Jet nozzle

Specification(mm)	A	B	C	D	E	G
Φ100	98	72	50	147	15	80
Φ125	123	90	60	170	28	80-100
Φ160	158	125	82	210	28	100-120
Φ200	199	150	105	258	32	125-130
Φ250	248	200	135	304	41	155-160
Φ315	314	255	185	385	48	175-180



- ※ **Model:** JN-A
- ※ **Material:** Aluminum
- ※ **Feature:**
 - ★ Powder-coated surface finish, standard colour RAL9010,9016.
 - ★ Long distance air supply with low noise.
 - ★ Used in superior places : concert hall, airport, theatre, museum etc.

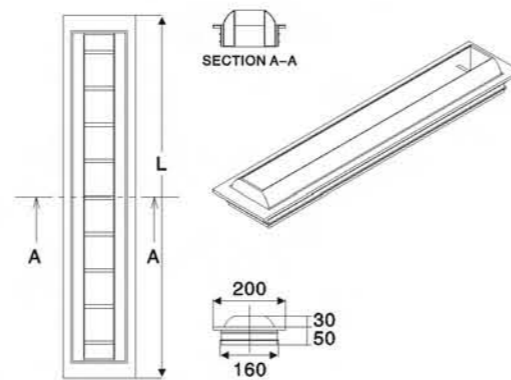
Metal air valve

Specification(mm)	B	C	D
Φ100	40	97.5	138
Φ125	46	122.5	164
Φ150	50	147.5	202
Φ160	54	157.5	211
Φ200	63	197.5	248



- ※ **Model:** MV-A
- ※ **Material:** Iron
- ※ **Feature:**
 - ★ Made from steel.
 - ★ Used for air supply.
 - ★ Powder coated surface, colour RAL9010,9016.
 - ★ There are five sizes: D-100;D-125;D-150;D-160;D-200MM.

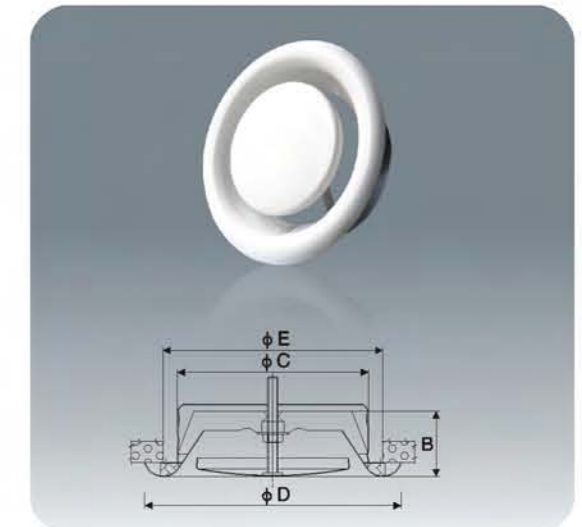
Jet nozzle



- ※ **Model:** JN-B
- ※ **Material:** Aluminum
- ※ **Feature:**
 - ★ Made from aluminium.
 - ★ Powder-coated surface finish, standard colour RAL9010,9016.
 - ★ Used in superior places: concert hall, airport, theatre, museum etc.

Metal air valve

Specification(mm)	B	C	D
Φ100	40	97.5	138
Φ125	46	122.5	164
Φ150	50	147.5	202
Φ160	54	157.5	211
Φ200	63	197.5	248



- ※ **Model:** MV-B
- ※ **Material:** Iron
- ※ **Feature:**
 - ★ Made from steel.
 - ★ Used for air return.
 - ★ Powder coated surface, colour RAL9010, 9016.
 - ★ There are five sizes: D-100; D-125;D-150;D-160;D200MM.

External vent louver

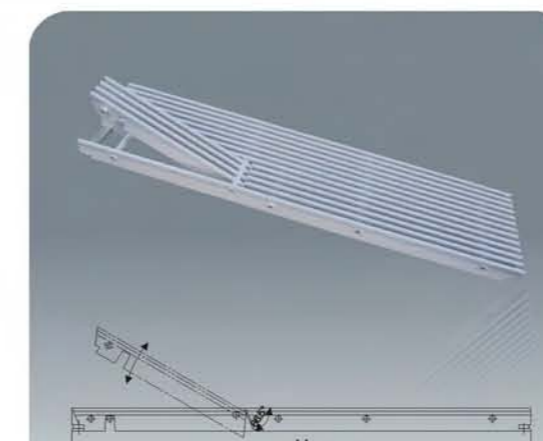
Specification(mm)
Φ80
Φ100
Φ125
Φ150
Φ160
Φ180
Φ200



- ※ **Model:** EV-A
- ※ **Material:** Stainless steel
- ※ **Feature:**
 - ★ For exhaust and supply
 - ★ Made of stainless steel sheet 304, polishing surface finish.
 - ★ With insect screen, lames, fixing clips, rubber sealing.
 - ★ Can be applied outside wall as well as inside.
 - ★ Packed in a transparent bag including 2 stainless screws.
 - ★ Natural free air circulation.

Floor diffuser

Specification(mm)
200x100
250x150
300x200
350x250
.....



- ※ **Model:** FD-B
- ※ **Material:** Aluminum
- ※ **Feature:**
 - ★ Frame thick: 2.5-5.0mm.
 - ★ With strong construction and specially design for fan.

Plastic air valve

Specification(mm)	Overall size(mm)
φ 80	φ 130
φ 100	φ 150
φ 125	φ 175
φ 150	φ 200
φ 200	φ 250



- ※ **Model:** PG-A
- ※ **Material:** PP or ABS
- ※ **Feature:**
 - ★ Suitable for rooms with a high air humidity. e.g. Bathroom, kitchen.
 - ★ Variable air flow control.
 - ★ High valve body improving air flow less noise with spring fastening.
 - ★ Simple removal for cleaning.

Plastic wall diffuser



- ※ **Model:** PG-W
- ※ **Material:** Plastic
- ※ **Feature:**
 - ★ Adjustable blades to control air flow with insect prevention.
 - ★ Easy to install, remove and cleaning.

Plastic air valve



Specification(mm)
φ 75
φ 100
.....

- ※ **Model:** PG-F
- ※ **Material:** Plastic
- ※ **Feature:**
 - ★ Suitable for intake or exhaust system with insect prevention.
 - ★ Easy to install, remove and cleaning.
 - ★ Specification: dia75mm, dia100mm.

Window-type air intake diffuser



- ※ **Model:** PG-S
- ※ **Material:** Plastic ABS
- ※ **Feature:**
 - ★ Used upon the windows of the bedroom or living room to make the air fresh inside.
 - ★ The blades are fixed by screw and adjustable from 0-180 degree.
 - ★ All sizes can be produced upon request.

Plastic air valve

Specification(mm)
φ 80
φ 100
φ 125
φ 150



- ※ **Model:** PG-E
- ※ **Material:** Plastic ABS
- ※ **Feature:**
 - ★ For both supply and exhaust air.
 - ★ Adjustable blades to control air flow.
 - ★ Easy to install, remove and cleaning.
 - ★ Specification: dia80mm, dia100mm, dia125, dia150.

Plastic Single Grille



Specification(mm)	Neck size(mm)	Overall size(mm)
200x100	180x80	225x125
250x150	230x130	275x175
300x200	280x180	325x225
350x250	330x230	375x275
.....
1000x600	980x580	1025x625

- ※ **Model:** PG-I
- ※ **Material:** Plastic
- ※ **Feature:**
 - ★ Designed for return air.
 - ★ The blade is fixed with frame. Frame is flat.
 - ★ All sizes can be produced upon request.

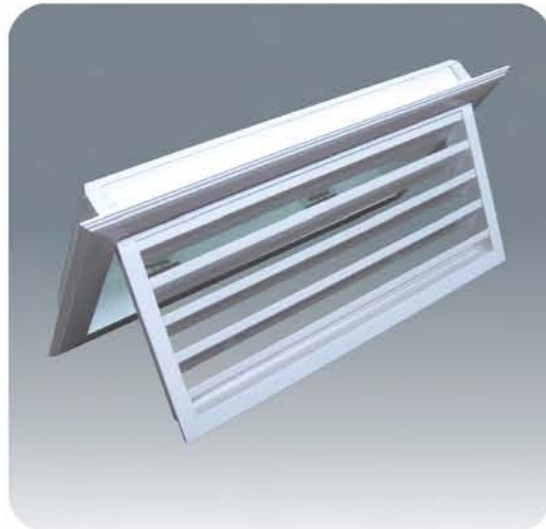
Plastic double grille

Specification(mm)	Neck size(mm)	Overall size(mm)
200x100	180x80	225x125
250x150	230x130	275x175
300x200	280x180	325x225
350x250	330x230	375x275
.....
1000x600	980x580	1025x625



- ※ **Model:** PG-D
- ※ **Material:** Plastic
- ※ **Feature:**
 - ★ The blades are fixed by screw and adjustable from 0-180 degree, giving required controllable airflow direction.
 - ★ All sizes can be produced upon request.

Plastic door link grille



Specification(mm)	Neck size(mm)	Overall size(mm)
200x100	190x90	237x137
250x150	240x140	287x187
300x200	290x190	337x237
350x250	340x240	387x287
.....
1000x600	990x590	1037x637

- ※ **Model:** PG-G
- ※ **Material:** Plastic
- ※ **Feature:**
 - ★ The inner frame can be moved.
 - ★ Blade is fixed with the frame. The frame is flat.
 - ★ Sizes manufactured on request.

Plastic Single Grille

Specification(mm)	Neck size(mm)	Overall size(mm)
200x100	180x80	225x125
250x150	230x130	275x175
300x200	280x180	325x225
350x250	330x230	375x275
.....
1000x600	980x580	1025x625



- ※ **Model:** PG-H
- ※ **Material:** Plastic
- ※ **Feature:**
 - ★ Designed for return air.
 - ★ The blade is fixed with frame. Frame is flat.
 - ★ All sizes can be produced upon request.

Flexible duct



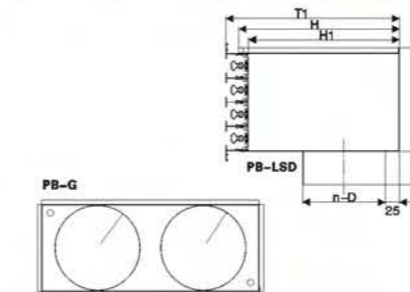
- ※ **Model:** FD-F
- ※ **Material:** Aluminum
- ※ **Feature:**
 - ★ Specifically produced for low and medium pressure heating, cooling, ventilation and air conditioning systems.
 - ★ Can be easily fitted to oval connectors.
 - ★ Temperature Range: -30°C ~ 140°C.
 - ★ Air speed: 30m/s(Max.)
 - ★ Operating Pressure: 2500pa(Max.).

Specification(inch)	Specification(mm)
Φ4	Φ102
Φ5	Φ127
Φ6	Φ152
Φ8	Φ203
Φ10	Φ254
Φ12	Φ305

Plenum box

PB-LSD

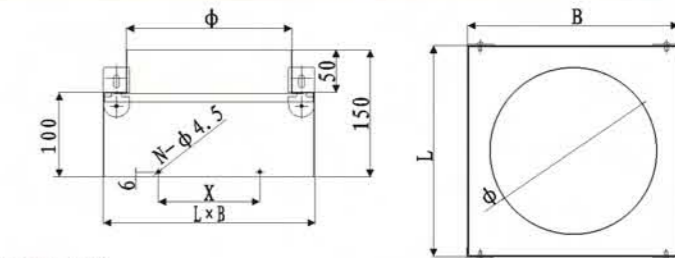
Slots	n	D	Depth	T1	H	H1	W
1	1	124	50	260	230	220	54.5
2		148		260	230	220	98
3		198		260	230	220	141.5
4	2	148		260	230	220	185



- ※ **Model:** PB-LSD/G
- ※ **Material:** Iron
- ※ **Feature:**
 - ★ The plenum box can stick external or internal insulation.
 - ★ The plenum neck diameter according customer require.
 - ★ Suitable for variable flow: when the flow is reduced, the air stream remains on the ceiling.



Plenum box



- ※ **Model:** PB-SA
- ※ **Material:** Iron
- ※ **Feature:**
 - ★ The plenum box can stick external or internal insulation.
 - ★ The plenum neck diameter according customer require.
 - ★ Suitable for variable flow: when the flow is reduced, the air stream remains on the ceiling.

Specification (mm)	Φ (mm)	X (mm)
150 × 150	Φ123	0
225 × 225	Φ158	0
300 × 300	Φ198	0
375 × 375	Φ248	150
450 × 450	Φ313	200
525 × 525	Φ353	250
600 × 600	Φ398	250

Volume control damper

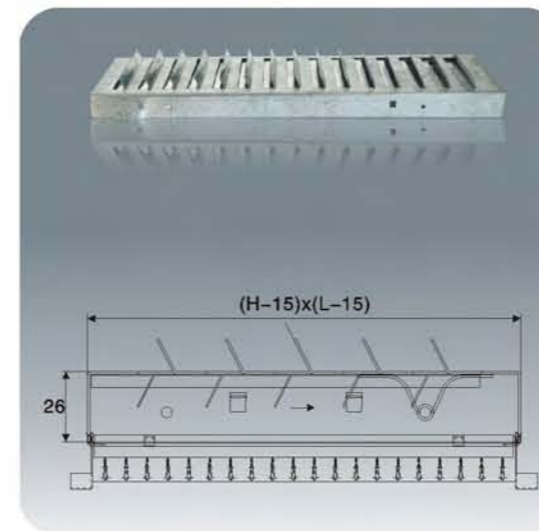
For grille	For diffuser
Specification(mm)	Specification(mm)
180x80	150x150
230x130	225x225
280x180	300x300
.....	375x375
980x580	450x450



- ※ **Model:** VCD-AD
- ※ **Material:** Aluminum
- ※ **Feature:**
 - ★ Frame thick:1.0mm, blade thick:1.0mm .
 - ★ Used with diffusers and grilles.
 - ★ The blades can be opened and closed simultaneously and their angle is adjustable mechanically with a screw driver or fitted handle to control the volume of airflow.
 - ★ Size can be customized according to the application.

Volume control damper

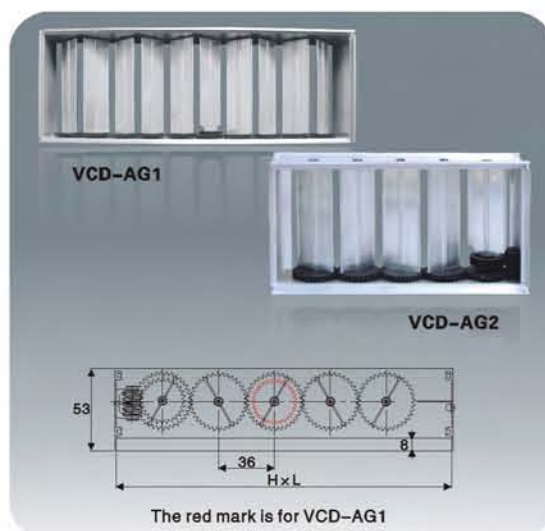
Specification(mm)	Neck size (mm)
225x75	210x60
325x75	310x60
425x125	410x110
525x125	510x110
625x225	610x110
825x225	810x110
1025x225	1010x110



- ※ **Model:** VCD-E1
- ※ **Material:** Galvanized steel sheet
- ※ **Feature:**
 - ★ Frame thick:0.8mm.
 - ★ Matched with spiral duct air grille, like as SGD, DGD.
 - ★ The air flow can be controlled by moving the inner device. It is easy for installation.

Volume control damper

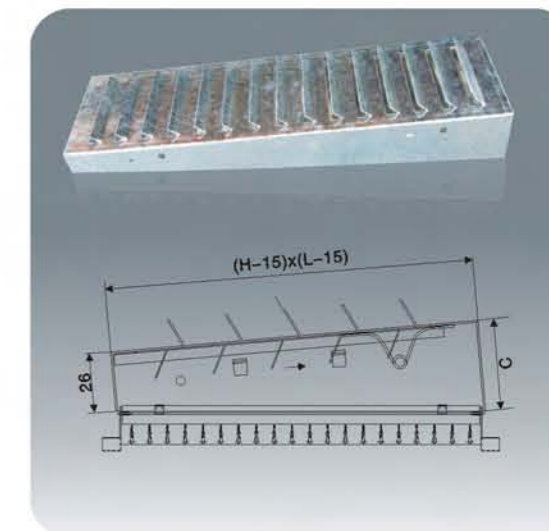
For grille	For diffuser
Specification(mm)	Specification(mm)
180x80	150x150
230x130	225x225
280x180	300x300
.....	375x375
980x580	450x450



- ※ **Model:** VCD-AG1/AG2
- ※ **Material:** Aluminum
- ※ **Feature:**
 - ★ Frame thick:1.0mm, blade thick:1.0mm.
 - ★ Used with diffusers and grilles.
 - ★ The blades can be opened and closed simultaneously and their angle is adjustable mechanically with a screw driver or fitted handle to control the volume of airflow.
 - ★ Size can be customized according to the application.

Volume control damper

Specification(mm)	Neck size (mm)	C(mm)
225x75	210x60	44
325x75	310x60	52.5
425x125	410x110	61
525x125	510x110	69.5
625x225	610x110	78
825x225	810x110	78
1025x225	1010x110	78



- ※ **Model:** VCD-E2
- ※ **Material:** Galvanized steel sheet
- ※ **Feature:**
 - ★ Frame thick:0.8mm.
 - ★ Matched with spiral duct air grille, like as SGD, DGD.
 - ★ The air flow can be controlled by moving the inner device. It is easy for installation.

Volume control damper

For grille	For diffuser
Specification(mm)	Specification(mm)
180x80	150x150
230x130	225x225
280x180	300x300
.....	375x375
980x580	450x450



- ※ **Model:** VCD-B
- ※ **Material:** Aluminum
- ※ **Feature:**
 - ★ Frame thick:1.0mm, blade thick:1.0mm.
 - ★ Used with grille and diffuser.
 - ★ The blades of which are opened and closed simultaneously and their angle is adjustable by screw driver to control the volume of air flow.
 - ★ Size can be customised according to application.

Volume control damper

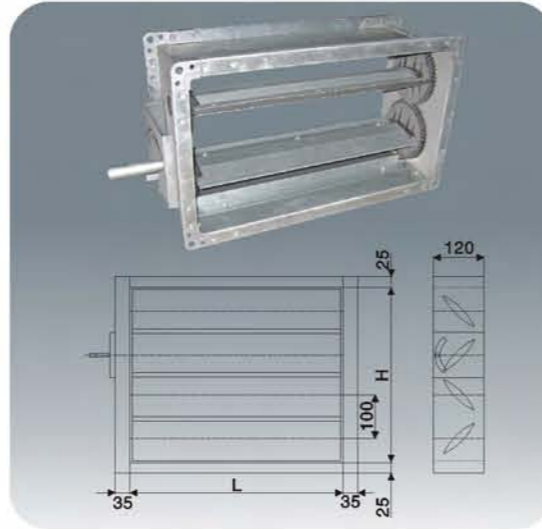
For grille	For diffuser
Specification(mm)	Specification(mm)
180x80	150x150
230x130	225x225
280x180	300x300
.....	375x375
980x580	450x450



- ※ **Model:** VCD-C/F
- ※ **Material:** Cool rolled sheet iron/Galvanized steel sheet
- ※ **Feature:**
 - ★ Frame thick:0.9mm,blade thick:0.7mm.
 - ★ Powder coated black or white color.
 - ★ Be used with grille and diffuser.
 - ★ The blades can be adjustable by screw driver to control the air flow.

Volume control damper

Refractory grade	1.5h
Volume for ventilation (300Pa)	≤700m ³ /m ² · h
Voltage	DC24v or 220v



- ※ **Model:** VCD-D
- ※ **Material:** Iron
- ※ **Feature:**
 - ★ Frame thick:1.2mm.
 - ★ Used in square air duct to adjust and separate the air flow.
 - ★ Flange design based on TDF air duct, insuring ease of installation in most applications.
 - ★ Can be adapt with manual and motorized actuator.
 - ★ Sizes can be manufactured on request.

Filter



Specification(mm)	Specification(mm)
200 × 100	350 × 250
250 × 150
300 × 200	1000 × 600

- ※ **Model:** FS-FF/FS-NF
- ※ **Material:** Non-woven Fabric/Nylon
- ※ **Feature:**
 - ★ Used to prevent duct snakes, insects, mice and so on. High performance.

Fire damper for duct



Temperature for damper closed	70°C (280°C)
Refractory grade	1.5h
Volume for ventilation (300Pa)	≤700m ³ /m ² · h

- ※ **Model:** FDD-RE
- ※ **Material:** Iron
- ※ **Feature:**
 - ★ Marine fire dampers are designed to prevent fire and smoke in ventilation pipe systems.
 - ★ We have two types: automatic type(Manual type).Electric type for Round and Retangular fire dampers.
 - ★ Damper will close automatically,when temperatureexceeds 70 degree in smoke systems and 280 degree in fire systems.

Sub frame

Specification(mm)	Specification(mm)
200 × 100	350 × 250
250 × 150
300 × 200	1000 × 600

- ※ **Model:** SFR
- ※ **Material:** Galvanized steel sheet
- ※ **Feature:**
 - ★ Frame thick:1.0mm.
 - ★ Be used with SG, DG, RG .ect. series installation.
 - ★ Used with clips. Easily removable for installation.
 - ★ It manufactured for European OEM coustomer.

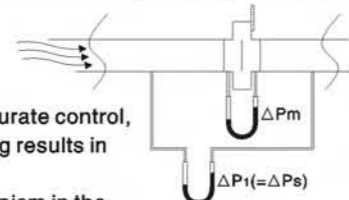


Iris damper

Specification (mm)	Air flow(m ³ /h)		Dimensions(mm)			
	35dB(A)	55dB(A)	d	D	L	A
100 Fei	40	270	99	165	110	30
125 Fei	60	400	124	188	110	30
160 Fei	120	600	159	230	110	30
200 Fei	270	1100	199	285	110	30
250 Fei	280	1600	249	335	135	35
315 Fei	400	2500	314	410	135	35



- ※ **Model:** FS-IR
- ※ **Material:** Galvanized steel
- ※ **Feature:**
 - ★ Special Iris construction makes it goods for accurate control, smooth and quiet air flow and reliable measuring results in circular ventilation ducts.
 - ★ Provides 100% free area with no control mechanism in the air stream in fully open position allowing easy and effective cleaning of duct work system, low sound level.



Round diffuser collar

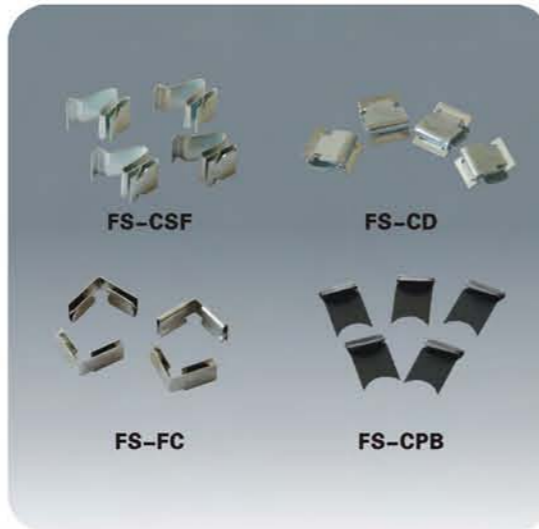


Specification(mm)
φ 150
φ 200
φ 250
φ 300
φ 350

- ※ **Model:** RD-C
- ※ **Material:** Galvanized steel sheet
- ※ **Feature:**
 - ★ Used with round diffuser.

Clips

- ※ **Model:** FS-CD/CPB/CSF/FC
- ※ **Material:** Iron
- ※ **Feature:**
 - ★ The clips are mounted to fit sub frame/plenum box /damper or used on back of grilles' corner.
 - ★ Can be easily released.



Connected Tape with Holes



WidthxThickness (mm)	Roll Length (m)	Hole diameter (mm)
12x0.6	10	φ5
17x0.6	10	φ7
12x0.8	10	φ5
17x0.8	10	φ7

- ※ **Model:** FS-C
- ※ **Material:** Aluminum
- ※ **Feature:**
 - ★ Easy to use, easy to install, galvanized surface to prevent rust.
 - ★ The main specifications are: 17x0.6, 20x0.6, 25x0.6, 25x1.
 - ★ Hole size and relative distance according to customers' drawings and samples.

Galvanized Corner



Thicknss
1.0mm
1.2mm

- ※ **Model:** RG-GC1/GC2
- ※ **Material:** Galvanized steel
- ※ **Feature:**
 - ★ Thickness of RG-GC1 is 1.0mm.
 - ★ Thickness of RG-GC2 is 1.2mm.

Flexible duct connector

Metal	Fabric	Metal
35mm	60mm	35mm
42mm	60mm	42mm
45mm	70mm	45mm
70mm	100mm	70mm



- ※ **Model:** FS-DC
- ※ **Material:** GI Metal with PVC or Silicone coating
- ※ **Feature:**
 - ★ Color: Black or grey, Green.
 - ★ Fire-retardant.

Insulation Pins

- ※ **Model:** FS-IP
- ※ **Material:** Aluminium
- ※ **Feature:**
 - ★ Insulation Pin, Fastening for Insulation Can Be either Welded or Non-welded Configurations.
 - ★ Base size: 25 x 25mm/35 x 35mm/40 x 40mm/45 x 45mm/50 x 50mm all are standard.
 - ★ Diameter: 1.70mm for 25 x 25mm base; 2.67mm and 3.00mm for both 35mm or 50mm base are standard. Other sizes available by special order only.
 - ★ Length: 20mm to 150 mm are standard. Other lengths available by special order.
 - ★ Material: 1.70mm pin is aluminum; 2.67mm and 3.00mm pin are low carbon steel. Also available by special order in all stainless steel or all aluminum.
 - ★ Plating: galvanized costing is standard. yellow, white and blue gal are available.
 - ★ Operation at ambient temperatures between 15 and 25 degrees Celsius.
 - ★ Work surfaces should be clean and dry, free of dust, grease, oil and any other loose matter.
 - ★ Remove the protective release paper taking care not to touch the adhesive.
 - ★ Insulation can be impaled immediately and firmly locked with fastening clips but maximum strength of adherence is achieved after 24 hours.



Quick release clamps



FS-CR-1	Max diameter	FS-CR-1	Max diameter
FS-CR-1-090	φ090	FS-CR-1-215	φ215
FS-CR-1-110	φ110	FS-CR-1-225	φ225
FS-CR-1-135	φ135	FS-CR-1-325	φ325
FS-CR-1-145	φ145	FS-CR-1-400	φ400
FS-CR-1-165	φ165	FS-CR-1-525	φ525
FS-CR-1-170	φ170	FS-CR-1-550	φ550
FS-CR-1-180	φ180	FS-CR-1-660	φ660

- ※ **Model:** FS-CR
- ※ **Material:** Stainless steel
- ※ **Feature:**
 - ★ Thickness:0.6mm,width:0.9mm.
 - ★ It has a stuitable edge which can prevent duct damage during fixing. It can come with a plastic container FS-CR-2 to protect the strip , 30m strip insde with multi clamp.
 - ★ It can be cut into different sizes you need.

Flange strip

Item	Thickness (mm)
T20	0.7
	0.75
	0.8
T30	0.9
	0.95
	1
T40	1
	1.1
	1.2



- ※ **Model:** T20/30/40
- ※ **Material:** Galvanized steel
- ※ **Feature:**

- ★ Used to connect the square ducts together, widely used in many buildings.
- ★ Low cost, good-looking and light.
- ★ easy to be assembled.

Access Door



- ※ **Model:** FS-FAD/VAD
- ※ **Material:** Aluminium or stainless steel
- ※ **Feature:**

- ★ Designed for trouble-free access to volume control and fire dampers.
- ★ Every access door is coming with a self-adhesive template helping measuring on the spiral duct.

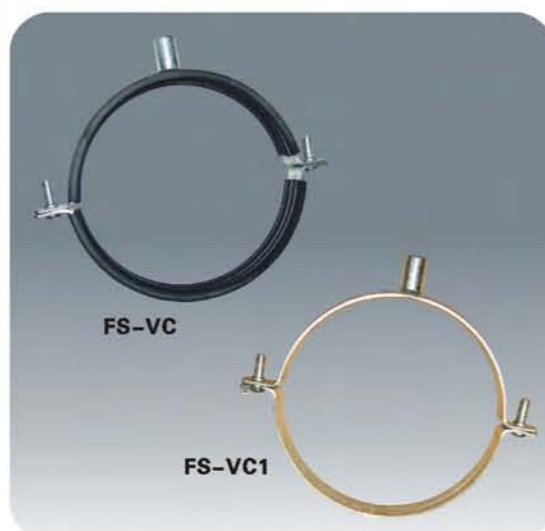
FS-FAD	
Size	
180mmx80mm	
250mmx150mm	
300mmx200mm	
400mmx300mm	

FS-VAD	
Size	Dia
180mmx80mm	∠125
250mmx150mm	150/160
300mmx200mm	315
400mmx300mm	710/800

Spiral Clamp

Specification	Specification
Φ80	Φ300
Φ100	Φ315
Φ125	Φ355
Φ150	Φ400
Φ160	Φ450
Φ180	Φ500
Φ200	Φ560
Φ225	Φ630
Φ250	Φ700
Φ280	Φ800

- ※ **Model:** FS-VC/1
- ※ **Material:** Galvanized steel
- ※ **Feature:**
- ★ FS-VC is made of Galvanized steel.
- ★ FS-VC1 is spiral clamp with rubber.



Ventilation Parts



Adjustable Bracket

- ※ **Model:** FS-LT-200
- ※ **Material:** Hot-rolled steel
- ※ **Feature:**
 - ★ Made of hot-rolled steel.
 - ★ Highly weather-proof powder coated surface.
 - ★ Adjustable installation distance.
 - ★ Easy assembly.



Size(mm)	Material	Range	Ctn Size (LXWXH)	G.W./Ctn	Remark
790x390x450	1.5mm steel	1-2P	800x380x170mm	3.18KGS	Powder coated finish

Adjustable Bracket

- ※ **Model:** FS-LT-100
- ※ **Material:** Hot-rolled steel
- ※ **Feature:**
 - ★ Made of hot-rolled steel.
 - ★ Highly weather-proof powder coated surface.
 - ★ Adjustable installation distance.
 - ★ Easy assembly.



Size(mm)	Material	Range	Ctn Size (LXWXH)	G.W./Ctn	Remark
3700x400	1.5mm steel	9000BTU	460x350x170mm	2.7KGS	Powder coated finish

Adjustable Bracket



- ※ **Model:** FS-A-430
- ※ **Material:** Hot-rolled steel
- ※ **Feature:**
 - ★ Made of hot-rolled steel.
 - ★ Highly weather-proof powder coated surface.
 - ★ Adjustable installation distance.
 - ★ Easy assembly.

Size(mm)	Material	Range	Ctn Size (LXWXH)	G.W./Ctn	Remark
400x400	1.5mm steel	1-1.5P	420x350x160mm	2.18KGS	Powder coated finish
450x500	2.0mm steel	2HP	520x350x160mm	3.45KGS	

Adjustable Bracket

- ※ **Model:** FS-SQ-400
- ※ **Material:** Hot-rolled steel
- ※ **Feature:**
 - ★ Made of hot-rolled steel.
 - ★ Highly weather-proof powder coated surface.
 - ★ Adjustable installation distance.
 - ★ Easy assembly.



Size(mm)	Material	Range	Ctn Size (LXWXH)	G.W./Ctn	Remark
800x400x550	2mm steel	3P	800x340x190mm	5.12KGS	Powder coated finish

Adjustable Bracket

- ※ **Model:** FS-B-55
- ※ **Material:** Hot-rolled steel
- ※ **Feature:**
 - ★ Made of hot-rolled steel.
 - ★ Highly weather-proof powder coated surface.
 - ★ Adjustable installation distance.
 - ★ Easy assembly.



Size(mm)	Material	Range	Ctn Size (LXWXH)	G.W./Ctn	Remark
400x400	1.5mm steel	1-1.5P	420x350x160mm	2.32KGS	Powder coated finish
450x500	2.0mm steel	2HP	520x350x160mm	3.68KGS	

Adjustable Bracket

- ※ **Model:** FS-SS-WBA
- ※ **Material:** Steel
- ※ **Feature:**
 - ★ Air-conditioner support.
 - ★ Welded brackets.
 - ★ Steel 1.5mm, 1.8mm, 2.0mm, 2.5mm are available.
 - ★ Usual Size: 320X420mm, 320X520mm, 400X620mm, 500X750mm.
 - ★ White powder coated finish.



Size(mm)	Material	Range	Pallet Size (LXWXH)	Qty./Pallet	Qty./20FT	Qty./40FT	N.W./Pallet	G.W./Pallet
320x420	2mm steel	1P	108x108x106cm	240SET	5030SET	10560SET	561.60KGS	579.60KGS
320x520	2mm steel	1.5P	108x108x115cm	234SET	4540SET	10296SET	615.42KGS	635.42KGS
400x620	2mm steel	2P	108x108x115cm	166SET	3220SET	7304SET	561.08KGS	581.08KGS
500x750	2mm steel	2.5P	108x108x115cm	130SET	2520SET	5720SET	512.20KGS	532.20KGS

Adjustable Bracket

- ※ **Model:** FS-SS-WBB
- ※ **Material:** Steel
- ※ **Feature:**
- ★ Air-conditioner support
- ★ Material: steel (1.5mm,1.8mm,2.0mm,2.5mm)
- ★ Usual size: 400X400mm
- ★ White powder coated finish



Size(mm)	Material	Range	Ctn Size (LXWXH)	Qty./Ctn	Qty./20FT	N.W./Ctn	G.W./Ctn	Remark
390x430	1.5mm steel	1-1.5P	465x360x160mm	10SET	8000SET	20.8KGS	23.8KGS	1.Powder coated finish
400x400	1.5mm steel	1-1.5P	465x360x160mm	10SET	8000SET	20.3KGS	23.3KGS	2.Including all the
390x430	2mm steel	1-1.5P	465x360x160mm	10SET	8000SET	28.2KGS	31.2KGS	connecting accessories

Adjustable Bracket

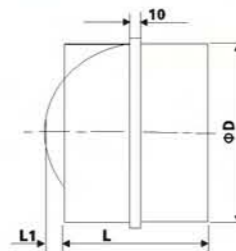


- ※ **Model:** FS-SS-WBC
- ※ **Material:** Steel
- ※ **Feature:**
- ★ Air-conditioner support
- ★ Material: steel (1.5mm,1.8mm,2.0mm,2.5mm)
- ★ Usual size: 500X500mm,600X600mm
- ★ White powder coated finish

Size(mm)	Material	Range	Ctn Size (LXWXH)	Qty./Ctn	Qty./20FT	N.W./Ctn	G.W./Ctn	Remark
400x430	1.5mm steel	1.5P	460x250x170mm	6SET	8400SET	9.90KGS	13.16KGS	1.Powder coated finish
400x450	1.8mm steel	1.5P	480x250x170mm	6SET	8100SET	20.30KGS	15.60KGS	2.Including all the
520x580	2.0mm steel	2P	610x250x170mm	6SET	6360SET	17.64KGS	21.03KGS	connecting accessories
600x600	2.5mm steel	2.5P	630x250x170mm	6SET	6180SET	24.36KGS	27.78KGS	

Pressure relief damper

Specification	ΦD	L1	L
Φ100	99	6	88
Φ125	124	19	88
Φ150	149	31	88
Φ160	159	36	88
Φ200	199	56	88
Φ250	249	61	128
Φ315	314	94	128
Φ355	354	65	198
Φ400	399	64	198
Φ450	449	80	248
Φ500	499	107	248



- ※ **Model:** FS-PRD
- ※ **Material:** Galvanized steel and aluminium
- ※ **Feature:**
- ★ It is used for preventing the reverse of air-flow in circular duct systems.
- ★ the case of it is made from galvanized steel and the blades are made if aluminium
- ★ With a inner foam seal for better tightness and noise reduction.
- ★ The valve opens when overpressure occurs and closes by means of spring when the pressure drops.

Bends

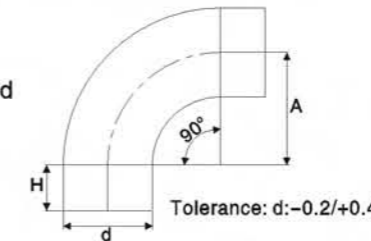


Size	d	A	H	W(kg)
80	78.9	100	40	0.18
100	98.9	100	40	0.22
125	123.9	125	40	0.31
150	148.9	150	40	0.39
160	158.9	160	40	0.45
.....

- ※ **Model:** B45
- ※ **Material:** Cold-rolled steel

Bends

- ※ **Model:** B90
- ※ **Material:** Cold-rolled steel



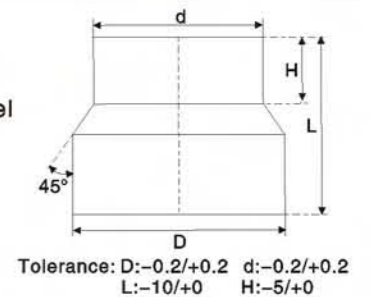
Size	d	A	H	W(kg)
80	78.9	100	40	0.26
100	98.9	100	40	0.33
125	123.9	125	40	0.47
150	148.9	150	40	0.62
160	158.9	160	40	0.72



Reducers



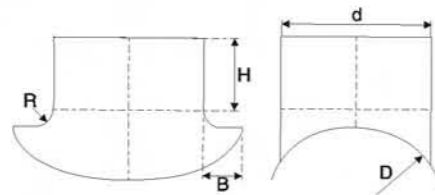
- ※ **Model:** RCF
- ※ **Material:** Cold-rolled steel



Size	D	d	L	H	W(kg)
100 80	100.5	78.8	110	40	0.11
125 80	125.5	78.8	122	40	0.16
125 100	125.5	98.8	112	45	0.16
150 100	150.6	98.8	125	45	0.20
150 125	150.6	123.8	122	45	0.19

Collar saddle

- ※ **Model:** PS
- ※ **Material:** Cold-rolled steel



Tolerance: d:-0.2/+0.2 H:-0/+5 B:-0.5/+0.5

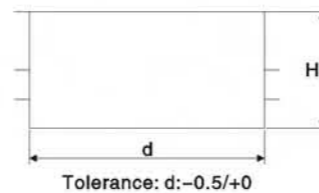


Size	D	d	H	B	R	W(kg)	
80	80	80	78.8	40	30	10	0.10
100	80	100	78.8	40	30	10	0.10
125	80	125	78.8	40	30	10	0.10
150	80	160	78.8	40	30	10	0.09
160	80	200	78.8	40	30	10	0.09

End cap



- ※ **Model:** DF
- ※ **Material:** Cold-rolled steel

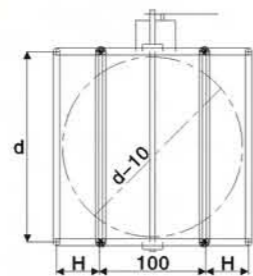


Tolerance: d:-0.5/+0

Size	d	H	W(kg)
80	80.5	40	0.06
100	100.5	40	0.09
125	125.5	40	0.11
150	150.5	40	0.15
160	160.5	40	0.16
.....

Regulating damper

- ※ **Model:** DS
- ※ **Material:** Cold-rolled steel



Tolerance: d:-0.5/+0.5



Size	d	H	W(kg)
80	78.8	40	0.39
100	98.8	40	0.46
125	123.8	40	0.50
150	148.7	40	0.60
160	158.7	40	0.69
.....

Mechanical warm air-condition



- ※ **Model:** WSK-7A/7C/7B-1

※ **Feature:**

- ★ Be suitable in the temperature control for central air condition blower tube, the motorized valve, the motorized wind valve and the tuyere.
- ★ The artistic contour, comfortable and the steady performance.
- ★ Adjusts temperature scope: 10°C-30°C.
- ★ Temperature sensor: Inflated film case.
- ★ Electric appliance parameter:
- ★ Thermostat 2A 220VAC ± 10%、50/60Hz.
- ★ Three velocity switching 3A 220VAC ± 10%、50/60Hz.
- ★ It has been passed certification of CE.

Mechanical warm air-condition

- ※ **Model:** WSK-8C/8D/8E/8H

※ **Feature:**

- ★ Be suitable in the temperature control for central air condition blower tube, the motorized valve, the motorized wind valve and the tuyere.
- ★ The artistic contour, comfortable and the steady performance.
- ★ Adjusts temperature scope: 10°C-30°C.
- ★ Display: At 20°C < 1°C.
- ★ Temperature sensor: Inflated film case.
- ★ Electric appliance parameter:
- ★ Thermostat 2A 220VAC ± 10%、50/60Hz.
- ★ Three velocity switching 3A 220VAC ± 10%、50/60Hz.
- ★ It has been passed certification of CE.



Refrigerant



Refrigerant R404A

Property of chloride	Molecular Weight: 97.6 Boiling Point, ° C: -46.5 Critical Temperature, ° C: 72.1 Critical Pressure, Mpa: 3.74 Specific Heat of Liquid, 30° C, [KJ/(kg° C)]: 0.38 ODP: 0 GWP: 0.388
Packing	Disposable cylinder 24lb/10.9kg; Recyclable cylinder 400L, 800L, 926L; ISO-Tank.
Quality standard	Purity, % ≥99.8 Moisture, Ppm ≤10 Acidity, Ppm ≤1 Vapor Residue, Ppm ≤100 Appearance: Colorless, No turbid Odor: No Strange Stench
Application	Retrofited refrigerant for R502.



Refrigerant R407C

Property of chloride	Molecular Weight: 86.2 Boiling Point, ° C: -43.8 Critical Temperature, ° C: 87.3 Critical Pressure, Mpa: 4.63 Specific Heat of Liquid, 30° C, [KJ/(kg° C)]: 1.51 ODP: 0 GWP: 0.17
Packing	Disposable cylinder 25lb/11.3kg; Recyclable cylinder 400L, 926L; ISO-Tank.
Quality standard	Purity, % ≥99.8 Moisture, Ppm ≤10 Acidity, Ppm ≤1 Vapor Residue, Ppm ≤100 Appearance: Colorless, No turbid Odor: No Strange Stench
Application	Retrofited refrigerant for R22.

Refrigerant



**Refrigerant R22
(difluorochloromethane)**

Property of chloride	Molecular Weight: 85.47 Boiling Point, ° C: -40.8 Critical Temperature, ° C: 96.2 Critical Pressure, Mpa: 4.99 Specific Heat of Liquid, 30° C, [KJ/(kg° C)]: 0.31 ODP: 0.034 GWP: 0.17
Packing	disposable steel cylinder 30lb/13.6kg, 50lb/22.7kg, recyclable steel cylinder 400kg/400L, 800kg/800L, 1000kg/1000L, 950kg/926L Purity, % ≥99.8
Quality standard	Moisture, Ppm ≤10 Acidity, Ppm ≤0.1 Vapor Residue, Ppm ≤100 Appearance: Colorless, No turbid Odor: No Strange Stench
Application	Disposable cylinder 30lb/13.6kg, 50lb/22.7kg; Recyclable cylinder 400L, 800L, 926L, 1000L; ISO-Tank.



**Refrigerant R134a
(tetrafluoroethane)**

Property of chloride	Molecular Weight: 102.03 Boiling Point, ° C: -26.1 Critical Temperature, ° C: 101.1 Critical Pressure, Mpa: 4.05 Specific Heat of Liquid, 30° C, [KJ/(kg° C)]: 1.51 Solubility(water, 25° C), % : 0.15 ODP: 0 GWP: 0.13
Packing	Can of 220g, 250g, 280g, 300g, 340g, 500g, 800g, 1000g; Disposable cylinder 30lb/13.6kg, 50lb/22.7kg; Recyclable cylinder 400L, 800L, 926L, 1000L; ISO-Tank.
Quality standard	Purity, % ≥99.9 Moisture, Ppm ≤10 Acidity, Ppm ≤0.1 Vapor Residue, Ppm ≤100 Appearance: Colorless, No turbid Odor: No Strange Stench
Application	Refrigerant for CFC-12 substitute.

Refrigerant 410A



Property of chloride	Molecular Weight: 102.03 Boiling Point, ° C: -26.1 Critical Temperature, ° C: 101.1 Critical Pressure, Mpa: 4.05 Specific Heat of Liquid, 30° C, [KJ/(kg° C)]: 1.51 Solubility(water, 25° C), % : 0.15 ODP: 0 GWP: 0.13
Packing	Can of 220g, 250g, 280g, 300g, 340g, 500g, 800g, 1000g; Disposable cylinder 30lb/13.6kg, 50lb/22.7kg; Recyclable cylinder 400L, 800L, 926L, 1000L; ISO-Tank.
Quality standard	Purity, % ≥99.9 Moisture, Ppm ≤10 Acidity, Ppm ≤0.1 Vapor Residue, Ppm ≤100 Appearance: Colorless, No turbid Odor: No Strange Stench
Application	Refrigerant for CFC-12 substitute.



FS-ASTM-B280

Pancake Coil

Application: Pancake coil is mainly used for air conditioning and refrigeration, installation of air conditioner, construction water and gas. Available in standard with lengths of 10ft, 20ft, 25ft, 50ft, 60ft, 66ft, 100ft, 3m, 6m, 7.62m, 15m, 18m, 30m, 50m.

Standard: ASTM B280, ASTM B88, ASTM B68, ASTM B75, ASTM B836 standard, EN 12735, EN 1057 standard, AS 1571, AS 1432 standard and JIS H3300 standard.

Temper: O60 or O50

Package: individually sealed by plastic bag, and packed by carton box of 3-20 rolls.

outer size	type	single layer inside size	single layer outside size	double layer inner size	double layer outside size	length
3.18		150	350	150	300	9000-30000
4.76		200	400	200	400	9000-30000
6.35		250	450	300	450	9000-30000
7.94		250	500	300	500	9000-30000
9.52		300	500	300	500	9000-30000
12.70		300	590	300	580	9000-18000
15.88		350	650	350	580	9000-18000
19.05		350	700	350	600	9000-18000
22.20		350	750	350	630	9000-18000